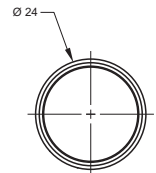
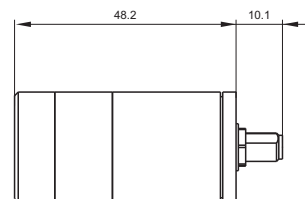
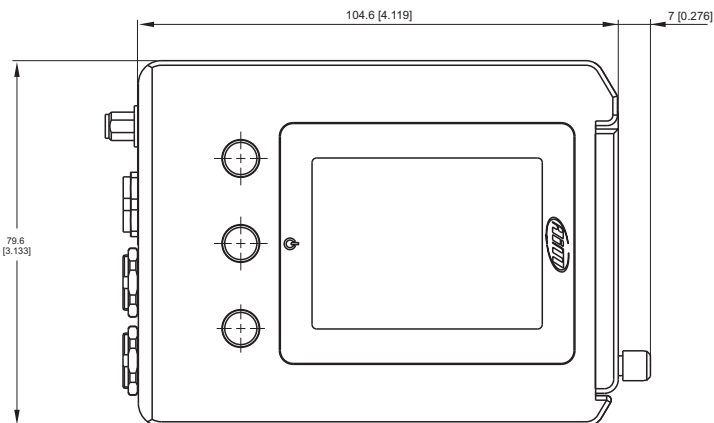
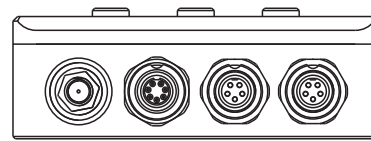
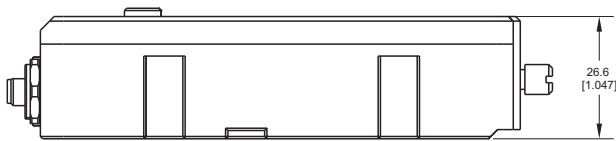
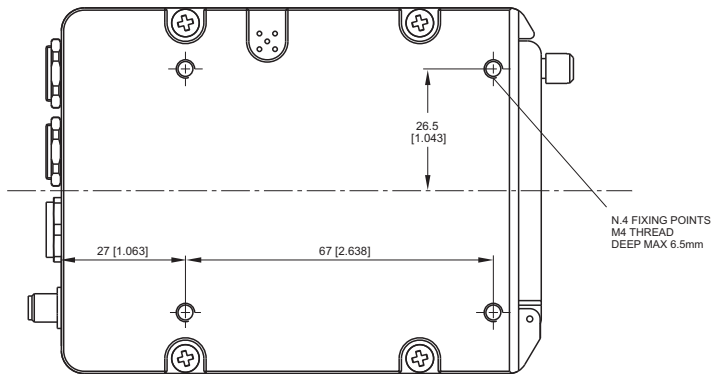




# AiM SmartyCam GP HD Rev. 2.2

On-board camera with bullet cam





# AiM SmartyCam GP HD Rev. 2.2

On-board camera with bullet cam

## Technical characteristics

<b>Video format</b>	H.264 1280 x 720 pixels @ 30 fps
<b>Display resolution</b>	2.4" 240 x 320 pixels
<b>Lens</b>	Telecentric with 6 elements
<b>Field of view</b>	67° or 84°
<b>Internal battery</b>	Rechargeable lithium battery 1,500 mAh
<b>Battery charge</b>	700 mAh 12V
<b>Internal battery duration</b>	60 - 70 min of recording
<b>External power</b>	9-15 Volt
<b>Supported SD card</b>	Up to 128 GB
<b>Memory capability</b>	1.5 GB (1 hour low quality recording) 2 GB (1 hour medium quality recording) 4 GB (1 hour high quality recording)
<b>Accelerometer</b>	Three-axial $\pm 5G$
<b>Usage temperatures</b>	-10°C/+60°C
<b>Auto Power ON</b>	Yes, if connected to an AiM logger
<b>Auto Power OFF</b>	Yes
<b>Auto Start/Stop Recording</b>	Yes
<b>Body</b>	Anodized Aluminum
<b>Dimensions</b>	Main unit 104.6 x 79.6 x 26.6 mm Bullet camera 24 diam x 48.2 mm
<b>Connectors</b>	3 Binder 712 female connectors + 1SMA female connector (see pinout page)
<b>Bullet cable lenght</b>	2.0 m
<b>Weight</b>	Main unit 320 g Bullet 45 g
<b>Waterproof</b>	IP67



# AiM SmartyCam GP HD Rev. 2.2

On-board camera with bullet cam

## Pinout

