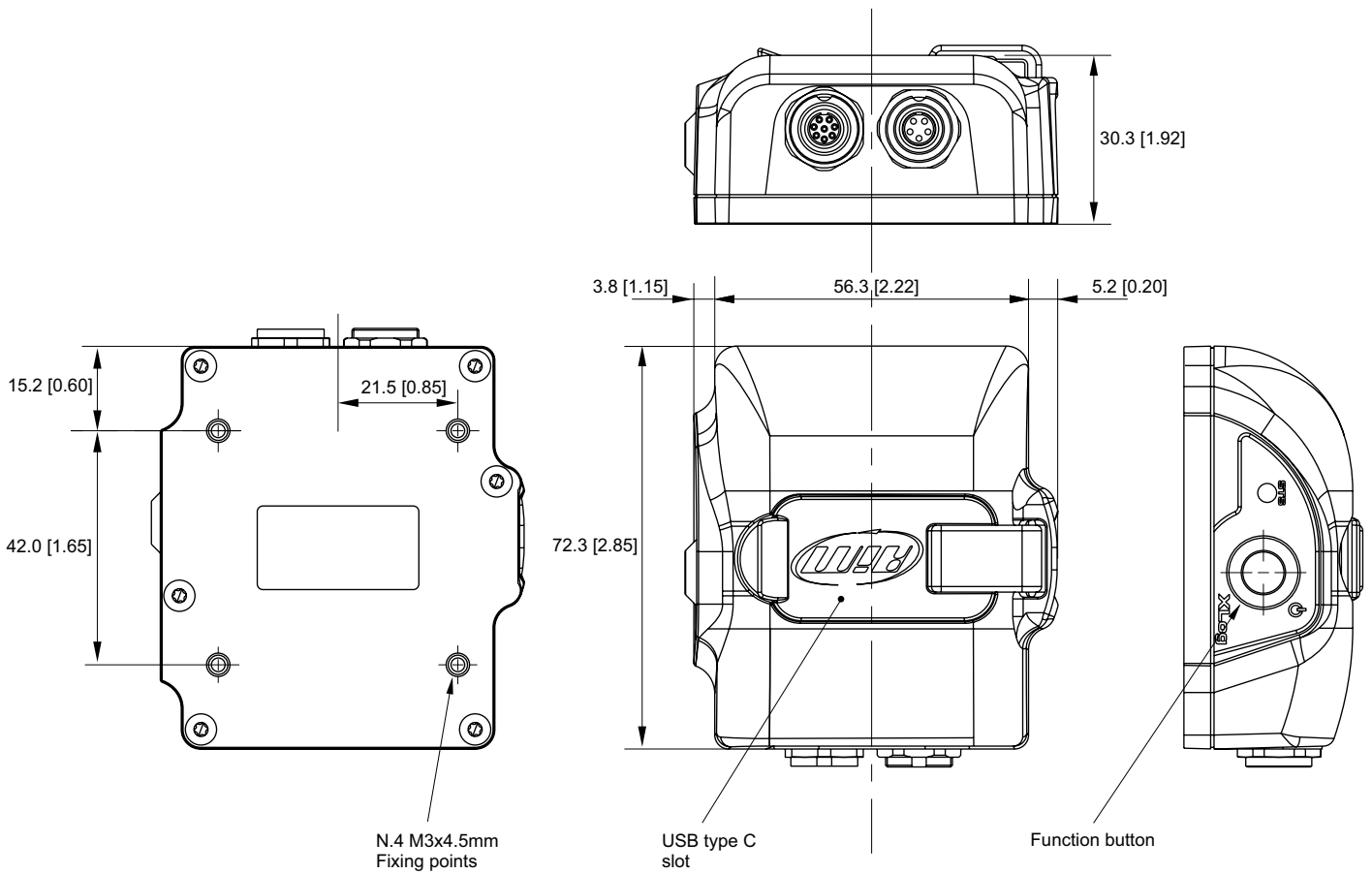




# XLog

All purpose logger



Dimensions in mm [inches]



# XLog

## All purpose logger

### Technical specifications

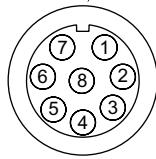
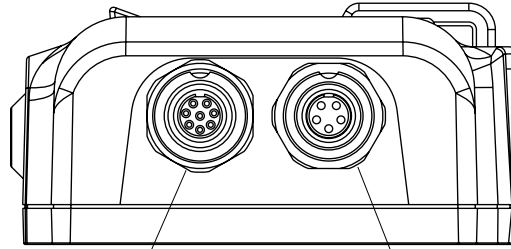
<b>Integrated track database</b>	Yes
<b>Inertial platform</b>	Internal 3 axis $\pm 5G$ accelerometer + 3 axis gyro
<b>USB connection</b>	Yes
<b>Wi-Fi connection</b>	Yes
<b>GPS</b>	25 Hz
<b>ECU connection</b>	CAN, RS232 or K-Line
<b>Expansions</b>	ACC3, LCU1S, SmartyCam 3 Series, external GPS module
<b>RPM input</b>	1
<b>Pushbutton</b>	1
<b>Status LED</b>	1
<b>External power</b>	9÷15 V
<b>Connectors</b>	1 socket (Binder) 712, 5 pins 1 socket (Binder) 712, 8 pins
<b>Memory</b>	4 GB + removable USB-C memory card
<b>Battery type</b>	Rechargeable Lithium
<b>Material</b>	PA6 GS30%
<b>Dimensions</b>	72.3x65.3x30.3 mm
<b>Weight</b>	150 g approx.
<b>Waterproof</b>	IP65



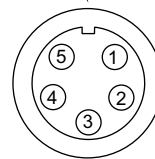
# XLog

All purpose logger

## Pinout



8 pins Binder 712 female  
Binder connector pinout  
external view



5 pins Binder 712 female  
Binder connector pinout  
external view

ECU CONNECTOR	
1	CAN ECU+
2	CAN ECU-
3	+Vbext
4	ECU RS232 TX
5	ECU RS232 RX
6	K-Line
7	GND
8	RPM

EXP CONNECTOR	
1	CAN+
2	GND
3	+Vbout
4	CAN-
5	+Vbext