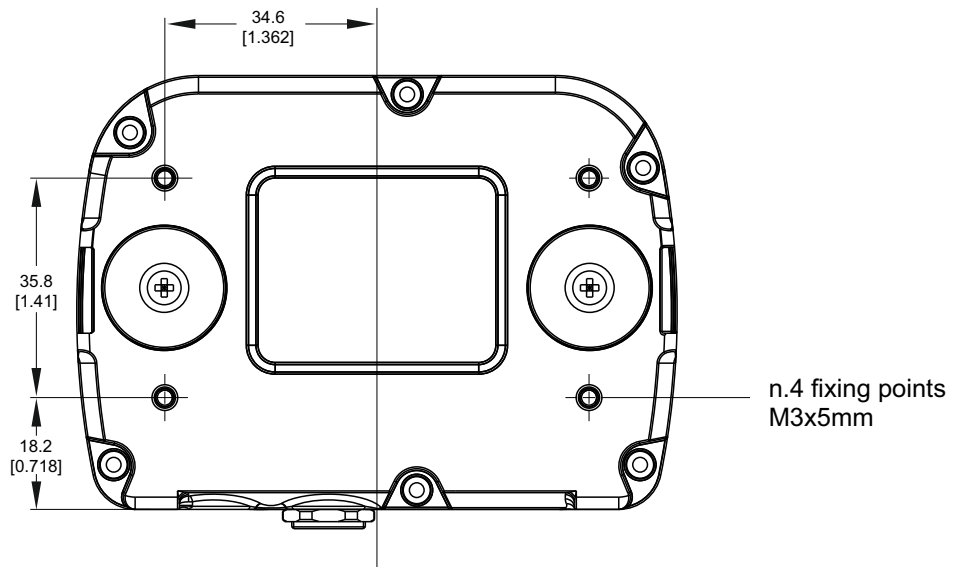
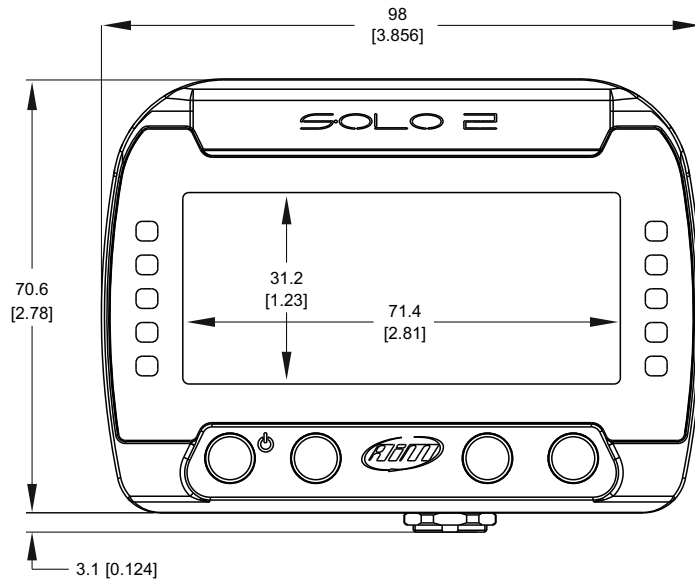




AiM Solo 2/Solo 2 DL

GPS lap timer/Dash logger

Solo 2

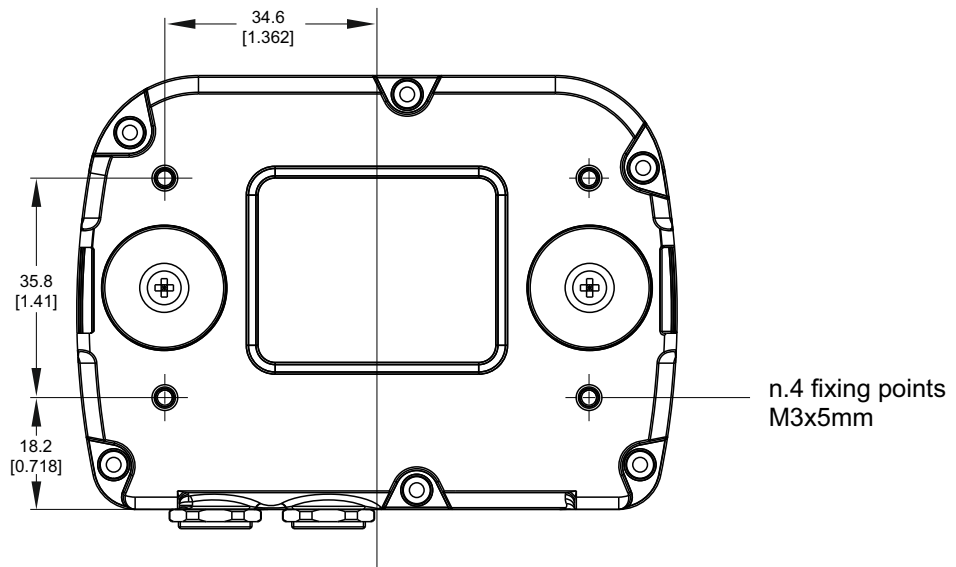
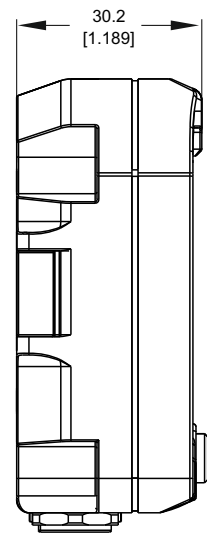
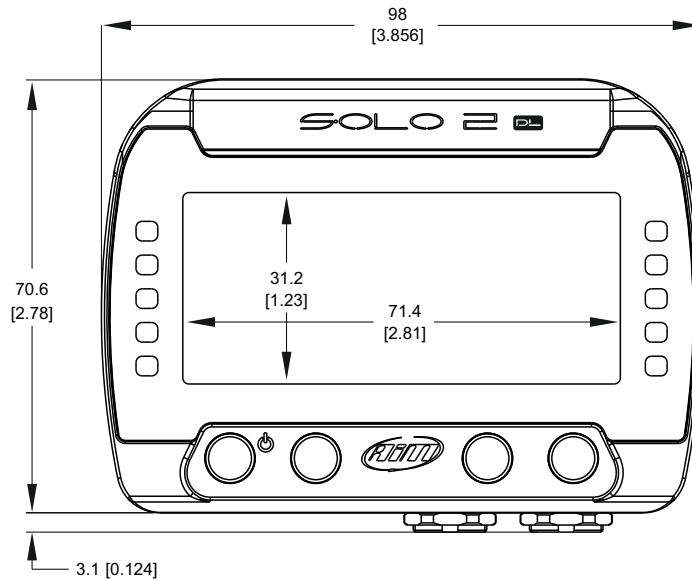




AiM Solo 2/Solo 2 DL

GPS lap timer/Dash logger

Solo 2 DL





AiM Solo 2/Solo 2 DL

GPS lap timer/Dash logger

Technical specifications

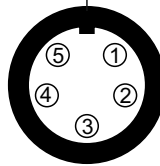
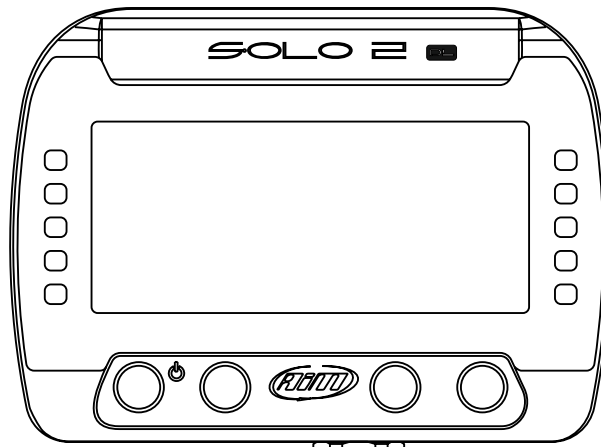
| | Solo 2 | Solo 2 DL |
|----------------------------------|---|---|
| Display | Graphical | Graphical |
| Display resolution | 238x99 pixels | 238x99 pixels |
| Display pages | Up to 5 freely configurable | Up to 8 freely configurable |
| Backlight | 7 configurable RGB colors | 7 configurable RGB colors |
| Shift lights/alarm LEDs | 10 configurable RGB LEDs | 10 configurable RGB LEDs |
| Integrated track database | Yes | Yes |
| Inertial platform | Internal 3 axis $\pm 5G$ accelerometer + 3 axis gyro + 3 axis magnetometer | Internal 3 axis $\pm 5G$ accelerometer + 3 axis gyro + 3 axis magnetometer |
| WiFi connection | Yes | Yes |
| GPS | 25 Hz | 25 Hz |
| ECU connection | -- | CAN, RS232 or K-Line to 1,000+ industry leading ECUs |
| External power | 9÷15 V | 9÷15 V |
| Connectors | 1 socket (binder) 712, 5-pins | 1 socket (binder) 712, 5-pins 1 socket (binder) 712, 8-pins |
| Memory | 4 Gb | 4 Gb |
| Battery type | Rechargeable lithium | Rechargeable lithium |
| Pushbuttons | Metallic | Metallic |
| Dimensions | 98.0 x 73.7 x 30.2 mm | 98.0 x 73.7 x 30.2 mm |
| Weight | 240 g, battery included | 240 g, battery included |
| Waterproof | IP67 | IP67 |



AiM Solo 2/Solo 2 DL

GPS lap timer/Dash logger

Solo 2 pinout



5 pins Binder 712
female connector
external view

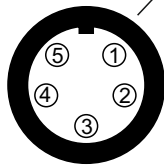
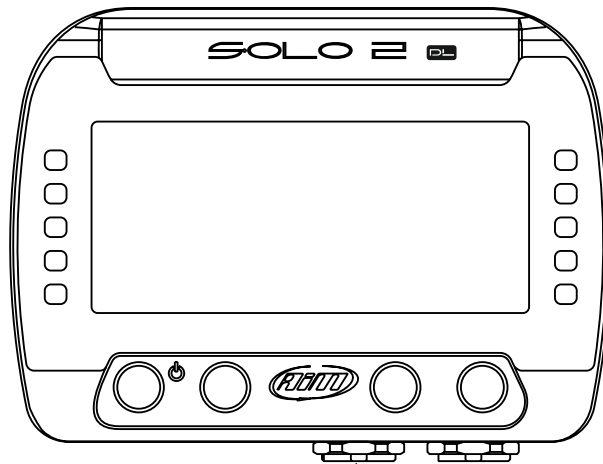
| EXP connector | |
|---------------|---------|
| 1 | nc |
| 2 | GND |
| 3 | nc |
| 4 | nc |
| 5 | +Vb ext |



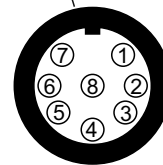
AiM Solo 2/Solo 2 DL

GPS laptimer/Dash logger

Solo 2 DL pinout



5 pins Binder 712 female connector external view



8 pins Binder 712 female connector external view

| EXP connector | |
|---------------|----------|
| 1 | CAN High |
| 2 | GND |
| 3 | +Vb out |
| 4 | CAN Low |
| 5 | +Vb ext |

| ECU connector | |
|---------------|-------------|
| 1 | CAN ECU+ |
| 2 | CAN ECU- |
| 3 | +Vb ext |
| 4 | ECU RS232TX |
| 5 | ECU RS232RX |
| 6 | K-Line |
| 7 | GND |
| 8 | RPM |



AiM Solo 2/Solo 2 DL

GPS lap timer/Dash logger

Solo 2 part numbers

In the box

Solo 2, power cable with car lighter socket, battery charger with AC adapter, mounting bracket with screws.
User manual & Race Studio 3 software freely downloadable from AiM web site.

X47SOLO2001□□

Spare parts

Power cable with wired car lighter socket

V02566700

Mounting bracket with screws

X47KPFSOLO2R0

Battery charger with AC adapter

X06A12VBM□

Adapters: substitute □ with **E** for Europe, **G** for UK, **U** for USA, **A** for Australia

Solo 2 DL part numbers

In the box

Solo 2 DL, battery charger with AC adapter, mounting bracket with screws, user manual.
User manual & Race Studio 3 software freely downloadable from AiM web site.

Concerning the cables you can choose among:

■ CAN/K-Line + external power cable with OBDII connector

X47SOLO2DL01□□

■ CAN/RS232 + external power cable

X47SOLO2DL02□□

■ RPM + external power cable

X47SOLO2DL03□□

Adapters: substitute □ with **E** for Europe, **G** for UK, **U** for USA, **A** for Australia

Spare parts

Mounting bracket with screws

X47KPFSOLO2R0

Battery charger with AC adapter

X06A12VBM□

Adapters: substitute □ with **E** for Europe, **G** for UK, **U** for USA, **A** for Australia

Accessories

CAN/K-Line + external power cable 2 m with OBDII connector

V02589040

CAN/RS232 + external power cable 2 m

V02589050

RPM + external power cable

V02589020

Power cable with wired car lighter socket

V02566700



AiM Solo 2/Solo 2 DL

GPS lap timer/Dash logger

Solo 2 and Solo 2 DL part numbers

Common accessories

Roll-bar kit

In the box: Handlebar bracket, 90 mm arm, clamp base with ball, locknut, washers and screws

X46KSTG00

U-bolt kit

In the box: U-bolt, 90 mm arm, clamp base with ball, locknut, washers and screws

X46KSTP00

Suction cup kit

In the box: suction cup, 90 mm arm, clamp base with ball, locknut, washers and screws

X46KSVS00

Solo Bar Pad Motocross for handle bars with cross brace

In the box: Bar Pad, transparent protection cover, mounting bracket, 4 12 mm M3 screws, installation guide

X47KPSOLO2T20

Solo Bar Pad Motocross for handle bars without cross brace

In the box: Bar Pad, transparent protection cover, mounting bracket, 4 12 mm M3 screws, installation guide

X47KPSOLO2T10

Trackday it

Trackday Kit SmartyCam 3 Corsa lens 67° + Solo 2 DL UK

XS3CRFHD06722G2DL

Trackday Kit SmartyCam 3 Corsa lens 67° + Solo 2 DL USA

XS3CRFHD06722U2DL

Trackday Kit SmartyCam 3 Corsa lens 67° + Solo 2 DL EU

XS3CRFHD06722E2DL

Trackday Kit SmartyCam 3 Corsa lens 84° + Solo 2 DL UK

XS3CRFHD08422G2DL

Trackday Kit SmartyCam 3 Corsa lens 84° + Solo 2 DL USA

XS3CRFHD08422U2DL

Trackday Kit SmartyCam 3 Corsa lens 84° + Solo 2 DL EU

XS3CRFHD08422E2DL

Trackday Kit SmartyCam 3 Sport lens 67° + Solo 2 DL UK

XS3S6722G2DL

Trackday Kit SmartyCam 3 Sport lens 67° + Solo 2 DL UK

XS3S6722U2DL

Trackday Kit SmartyCam 3 Sport lens 67° + Solo 2 DL UK

XS3S6722E2DL

Trackday Kit SmartyCam 3 Sport lens 84° + Solo 2 DL UK

XS3S8422G2DL

Trackday Kit SmartyCam 3 Sport lens 84° + Solo 2 DL USA

XS3S8422U2DL

Trackday Kit SmartyCam 3 Sport lens 84° + Solo 2 DL EU

XS3S8422E2DL