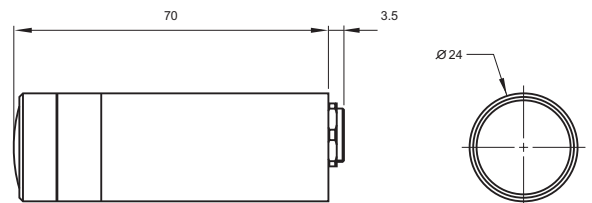
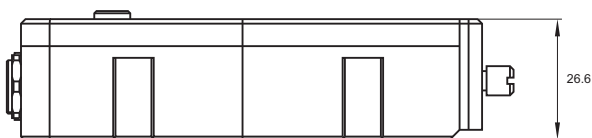
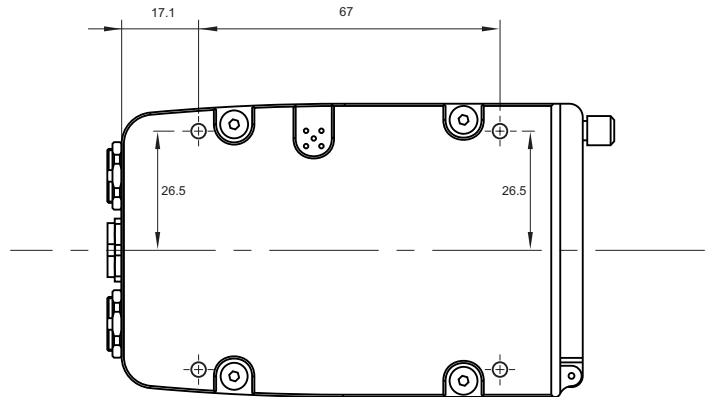
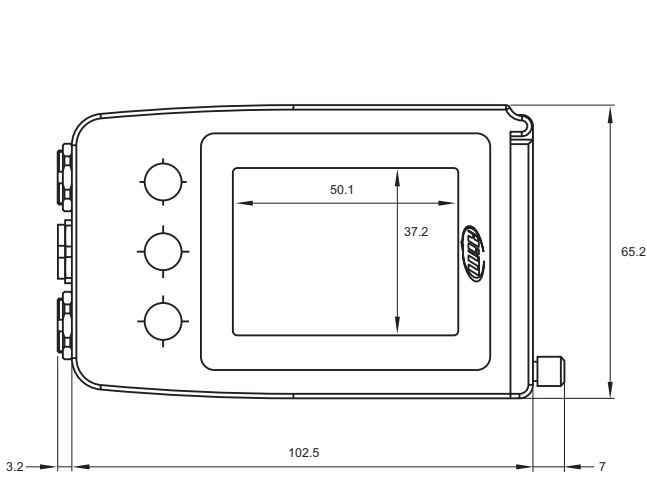




# AiM SmartyCam GP HD Rev. 2.1

On-board camera with bullet cam





# AiM SmartyCam GP HD Rev. 2.1

On-board camera with bullet cam

## Technical characteristics

<b>Video format</b>	H.264 1280 x 720 pixels @ 30 fps
<b>Display resolution</b>	2.4" 240 x 320 pixels
<b>Lens</b>	Telecentric with 6 elements
<b>Field of view</b>	67° or 84°
<b>Internal battery</b>	Rechargeable lithium battery 1.040 mAh
<b>Battery charge</b>	700 mAh 12V
<b>Internal battery duration</b>	60 - 70 min of recording
<b>External power</b>	9-15 Volt
<b>Supported SD card</b>	Up to 128 GB
<b>Memory capability</b>	1.5 GB (1 hour low quality recording) 2 GB (1 hour medium quality recording) 4 GB (1 hour high quality recording)
<b>Accelerometer</b>	Three-axial $\pm 5G$
<b>Usage temperatures</b>	-10°C/+60°C
<b>Auto Power ON</b>	Yes, if connected to an AiM logger
<b>Auto Power OFF</b>	Yes
<b>Auto Start/Stop Recording</b>	Yes
<b>Body</b>	Anodized Aluminum
<b>Dimensions</b>	Main box 102.5 x 65.2 x 26.5 mm Bullet camera 24 diam x 73.5 mm
<b>Bullet cable lenght</b>	0.5 - 1.0 - 1.5 - 2.0 mt
<b>Weight</b>	Main unit 260 g Bullet 55 g
<b>Waterproof</b>	IP67



# AiM SmartyCam GP HD Rev. 2.1

On-board camera with bullet cam

## In the box

### Bullet cam HFOV 67° lens

SmartyCam GP HD Rev. 2.1 recording module, bullet cam connection harness – L=2mt, Mini B – USB adapter cable, battery charger, 4Gb HC10 SD card, CD with software, user manual

<b>X96SHG0267R21</b>	With CAN harness – L = 2 mt
<b>X96SHG0467R21</b>	With CAN harness – L = 4 mt
<b>X96SHG0167R21</b>	With External power harness – L = 2 mt

### Bullet cam HFOV 84° lens

SmartyCam GP HD Rev. 2.1 recording module, bullet cam connection harness – L=2mt, Mini B – USB adapter cable, battery charger, 4Gb HC10 SD card, CD with software, user manual

<b>X96SHG0284R21</b>	With CAN harness – L = 2 mt
<b>X96SHG0484R21</b>	With CAN harness – L = 4 mt
<b>X96SHG0184R21</b>	With External power harness – L = 2 mt

## Spare parts

<b>X90TMPC002</b>	USB cable
<b>V02566070</b>	CAN harness - L = 2 mt
<b>V02566060</b>	CAN harness - L = 4 mt
<b>V02566150</b>	External power harness - L=2 mt
<b>V02566390</b>	Bullet cam connection harness - L=0.5 mt
<b>V02566480</b>	Bullet cam connection harness - L=1 mt
<b>V02566470</b>	Bullet cam connection harness - L=1.5 mt
<b>V02566590</b>	Bullet cam connection harness - L=2 mt
<b>XSMGPBCHD67</b>	Bullet cam SmartyCam GP HD 67°
<b>XSMGPBCHD84</b>	Bullet cam SmartyCam GP HD 84°
<b>X96KVBGPHD6</b>	Glass replacement kit bullet cam SmartyCam GP HD 67°
<b>X96KVBGPHD84</b>	Glass replacement kit bullet cam SmartyCam GP HD 84°

## Accessories

<b>X40GPS8SHD20</b>	GPS08 Module for SmartyCam HD with 2 m lenght cable
<b>X40GPS8SHD40</b>	GPS08 Module for SmartyCam HD with 4 m lenght cable
<b>X40GPS8SHD2R</b>	GPS08 Module for SmartyCam HD Roof version with 2 m lenght cable
<b>X40GPS8SHD4R</b>	GPS08 Module for SmartyCam HD Roof version with 4 m lenght cable



# AiM SmartyCam GP HD Rev. 2.1

On-board camera with bullet cam

## Cable + external microphone

<b>V02566080</b>	External power + Integrated external microphone harness L=2 mt
<b>V02566230</b>	External power + Integrated external microphone harness L=4 mt
<b>V02566310</b>	External power + Integrated 3.5 female Jack for external microphone harness - L = 2 mt
<b>V02566320</b>	External power + Integrated 3.5 female Jack for external microphone harness - L = 4 mt
<b>V02566100</b>	CAN Bus + Integrated external microphone harness - L = 2 mt
<b>V02566240</b>	CAN Bus + Integrated external microphone harness - L = 4 mt
<b>V02566290</b>	CAN Bus + Integrated 3.5 female Jack for external microphone harness - L = 2 mt
<b>V02566300</b>	CAN Bus + Integrated 3.5 female Jack for external microphone harness - L = 4 mt

## Record unit bracket kits

<b>X90KSGPRB</b>	Roll-bar kit In the box: handlebar bracket, 90 mm arm, clamp base with ball, mounting bracket, locknuts, washers and screws
<b>X90KSGPTP</b>	U-bolt kit In the box: U-bolt, 90 mm arm, clamp base with ball, mounting bracket, locknuts, washers and screws
<b>X90KSGPVS</b>	Suction cup In the box: suction cup, 90 mm arm, clamp base with ball, locknuts, washers and screws

## Bullet cam bracket kits

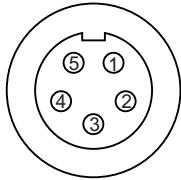
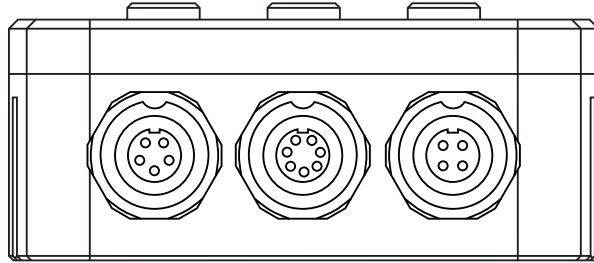
<b>X90KSBLRB</b>	Roll-bar kit In the box: handlebar bracket, 60 mm arm, ball head, bullet-cam bracket
<b>X90KSBLTP</b>	U-bolt kit In the box: U-bolt, 60 mm arm, ball head, bullet-cam bracket
<b>X90KSBLV0</b>	Suction cup In the box: suction cup, 60 mm arm, ball head, bullet-cam bracket



# AiM SmartyCam GP HD Rev. 2.1

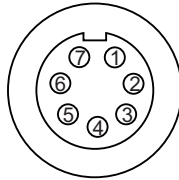
On-board camera with bullet cam

## Pinout



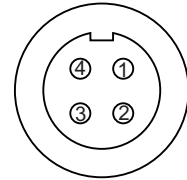
5 pins Binder 712  
female connector pinout  
external view (camera)

- 1 - LVDS+
- 2 - GND
- 3 - Bullet +Vb
- 4 - Serial I/O
- 5 - LVDS-



7 pins Binder 712  
female connector pinout  
external view (Ext)

- 1 - CAN+
- 2 - GND
- 3 - +Vb
- 4 - CAN-
- 5 - +Vbext
- 6 - GND
- 7 - Mic+



4 pins Binder 712  
female connector pinout  
external view (GPS)

- 1 - CAN+
- 2 - GND
- 3 - +Vb
- 4 - CAN-



# AiM SmartyCam GP HD Rev. 2.1

On-board camera with bullet cam

## Product history

Rel	From serial number	Date	Changes
<b>Rel00</b>	<b>4102355</b>	Mar, 10th 2016	<ul style="list-style-type: none"><li>▪ <b>SMC-06C:</b> Main board New position of internal microphone with holes in lower mechanical box to improve audio recording</li><li>▪ <b>Rear mechanical box:</b> new drawing with holes and place for install internal microphone</li></ul>