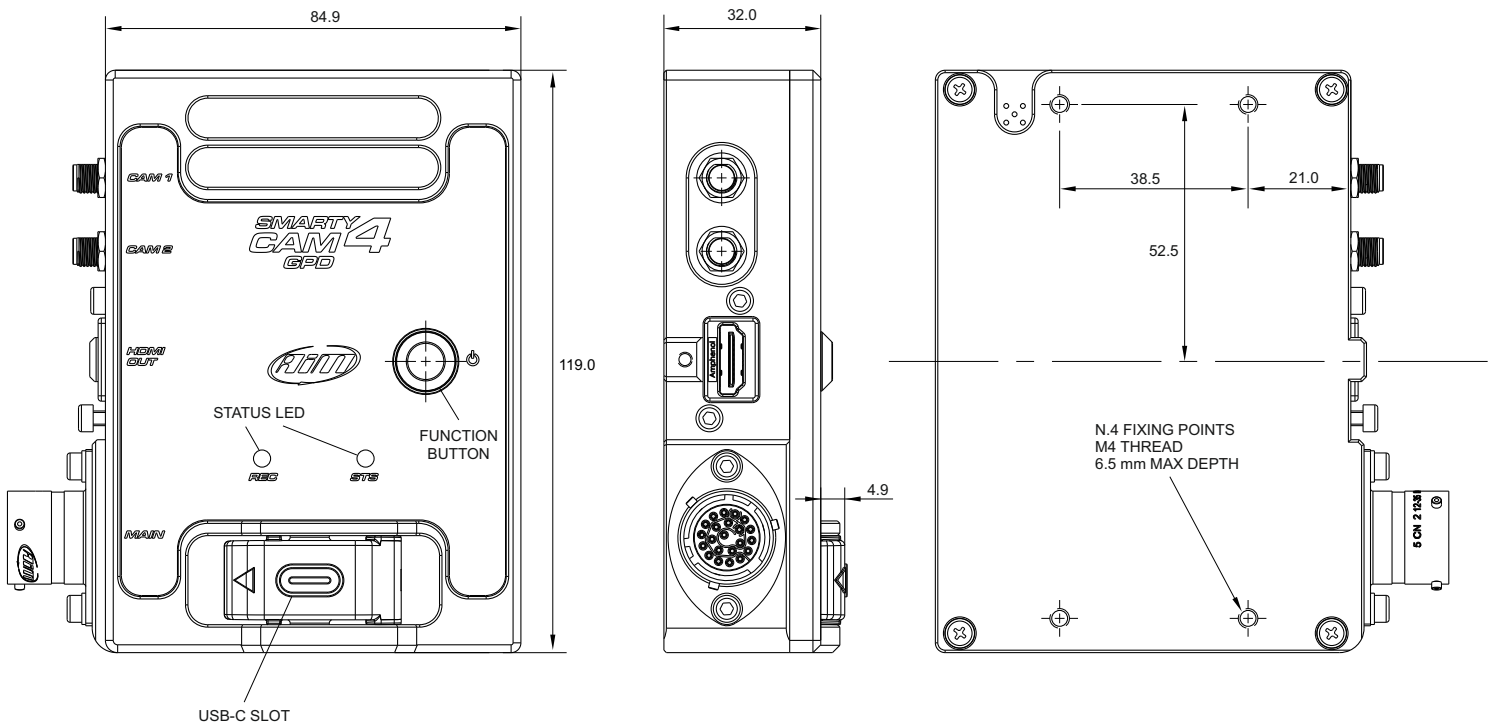




# SmartyCam 4 GPD

On-board camera



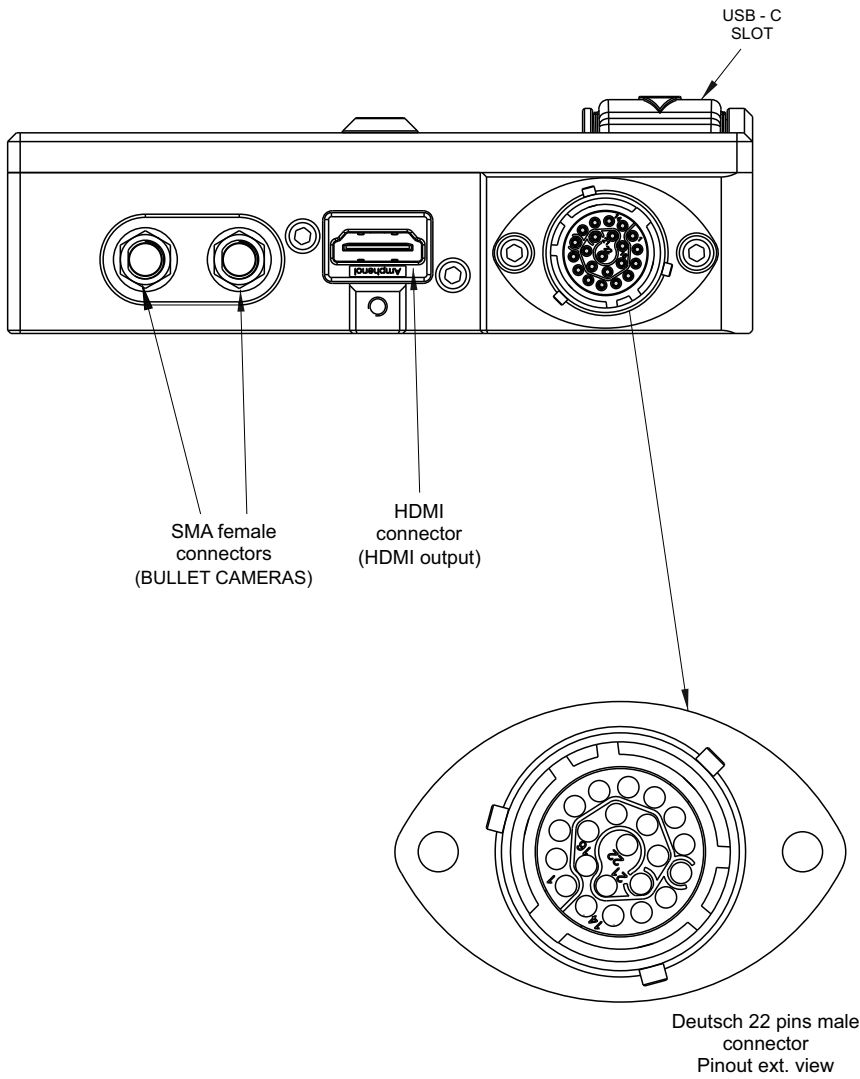
Dimensions in mm



# SmartyCam 4 GPD

On-board camera

## Pinout



Pin	Deutsch 22 pins
1	9-15V Power in
2	+Vbext
3	+Vbout
4	BI_DA+*
5	BI_DA-*
6	BI_DC+*
7	BI_DC-*
8	BI_DB+*
9	BI_DB-*
10	GND
11	GND
12	NC
13	ECU CAN -
14	Ext MIC -
15	Ext MIC +
16	AIM CAN-
17	AIM CAN+
18	BI_DD-*
19	BI_DD+*
20	GND
21	ECU CAN +
22	NC

\*Ethernet



# SmartyCam 4 GPD

On-board camera

## Technical characteristics

<b>Video format</b>	H.264/H.265 configurable 1,920 x1,080 pixels @ 30/60 fps
<b>Lens</b>	Low distortion lens 85°
<b>Sensor</b>	Sony 12 MP CMOS
<b>Stabilizer</b>	LSI Sony for enhanced features
<b>Connection</b>	USB - Wi-Fi - Bluetooth
<b>Streaming</b>	Via HDMI, USB or Wi-Fi
<b>Internal battery</b>	Rechargeable LiPo battery
<b>External power</b>	9-15 Volt
<b>Supported memory</b>	USB-C Drive up to 2 TB + SD Card up to 2 TB
<b>Connectors</b>	2 SMA, 1 USB-C, 1 Deutch 22 pins, 1 HDMI, Ethernet
<b>Temperatures working range</b>	-10°C/+50°C
<b>Auto Power ON/OFF</b>	Yes
<b>Auto Start/Stop Recording</b>	Yes
<b>Body</b>	Anodized Aluminum
<b>Dimensions</b>	119.0 x 84.9 x 32.0 mm (main unit), Ø24.0 x 48.2 mm (bullet)
<b>Weight</b>	Main unit 380 g, battery included
<b>RaceStudio 3 app &amp; software</b>	Yes
<b>Waterproof</b>	IP65