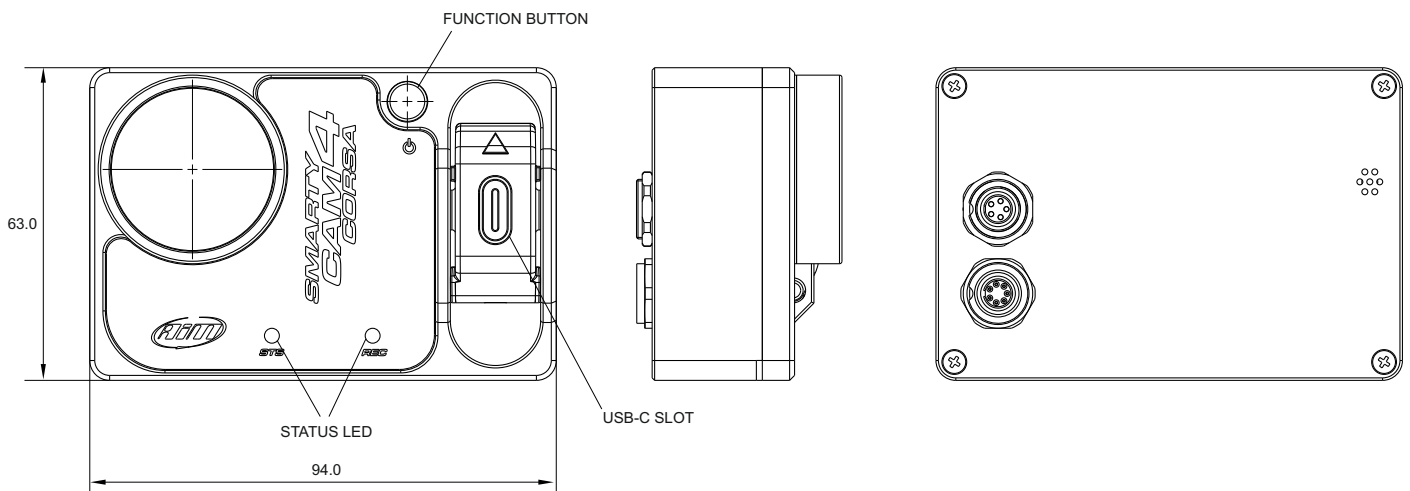
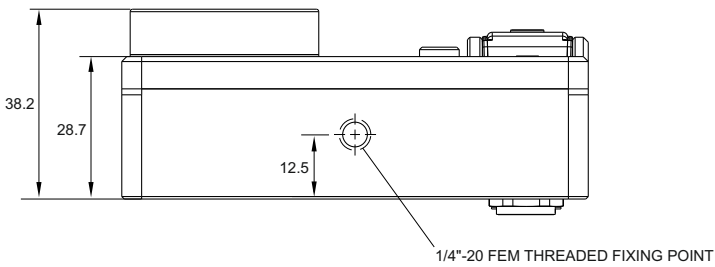




# SmartyCam 4 Corsa

On-board camera

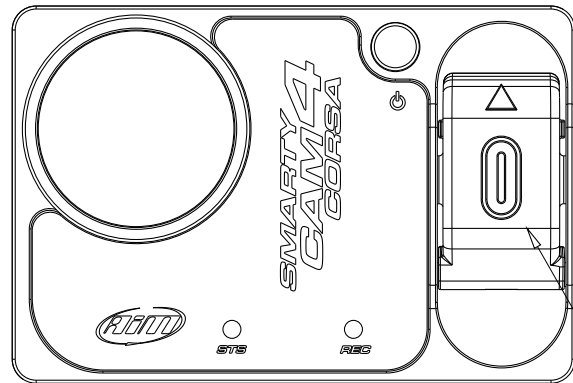
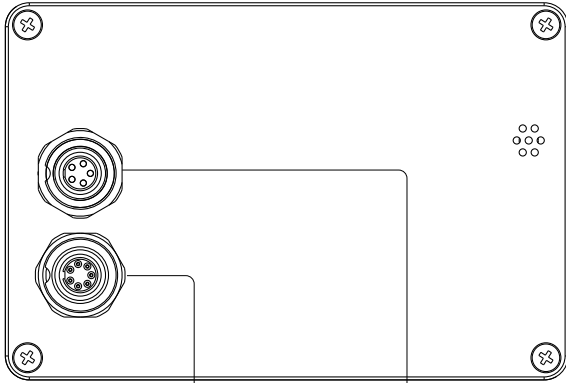




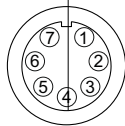
# SmartyCam 4 Corsa

On-board camera

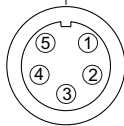
## Pinout



USB - C  
SLOT



Binder 7 pins female  
connector - pinout  
external view



Binder 5 pins female  
connector - pinout  
external view

ECU-MIC	
1	ECU CAN+
2	GND
3	+Vbout
4	ECU CAN-
5	+Vbext
6	Ext Mic-
7	Ext Mic+

EXP	
1	AIM CAN+
2	GND
3	+Vbout
4	AIM CAN-
5	+Vbext



# SmartyCam 4 Corsa

On-board camera

## Technical characteristics

<b>Video format</b>	H.264/H.265 configurable 1,920 x1,080 pixels @ 30/60 fps
<b>Lens</b>	Low distortion lens 85°
<b>Sensor</b>	Sony 12 MP CMOS
<b>Stabilizer</b>	LSI Sony for enhanced features
<b>Connection</b>	USB - Wi-Fi - Bluetooth
<b>Streaming</b>	Via USB or Wi-Fi
<b>Internal battery</b>	Rechargeable LiPo battery
<b>External power</b>	9-15 Volt
<b>Supported memory</b>	USB-C Drive up to 2 TB
<b>Connectors</b>	2 Binder 712 female, 1 USB-C
<b>Temperatures working range</b>	-10°C/+50°C
<b>Auto Power ON/OFF</b>	Yes
<b>Auto Start/Stop Recording</b>	Yes
<b>Body</b>	Anodized Aluminum
<b>Dimensions</b>	94 x 63 x 28.7 mm
<b>Weight</b>	260 g, battery included
<b>RaceStudio 3 app &amp; software</b>	Yes
<b>Waterproof</b>	IP65