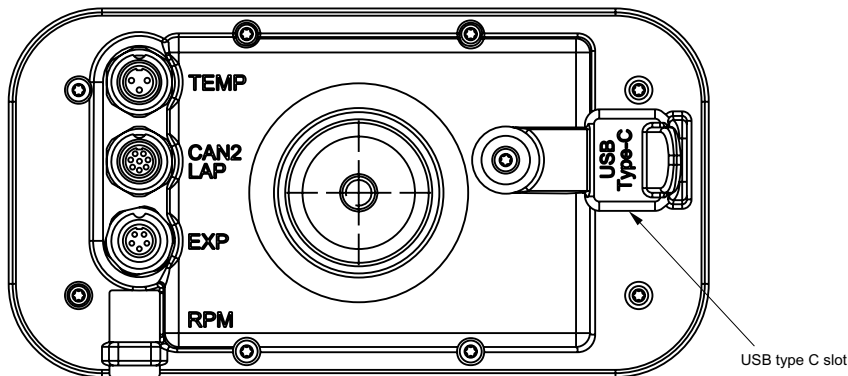
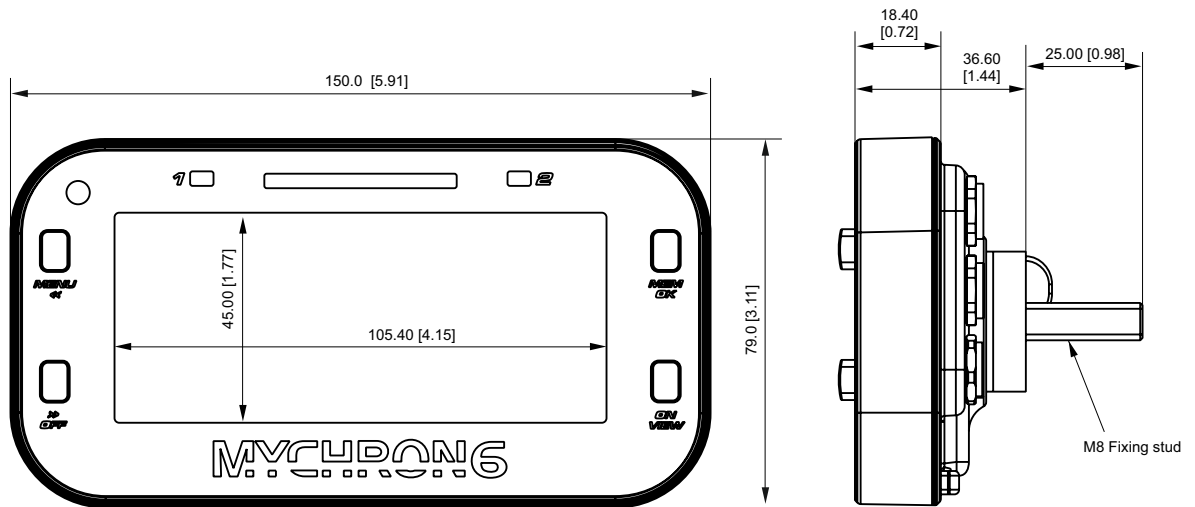




# AiM MyChron6/6 2T

Dash logger

MyChron6

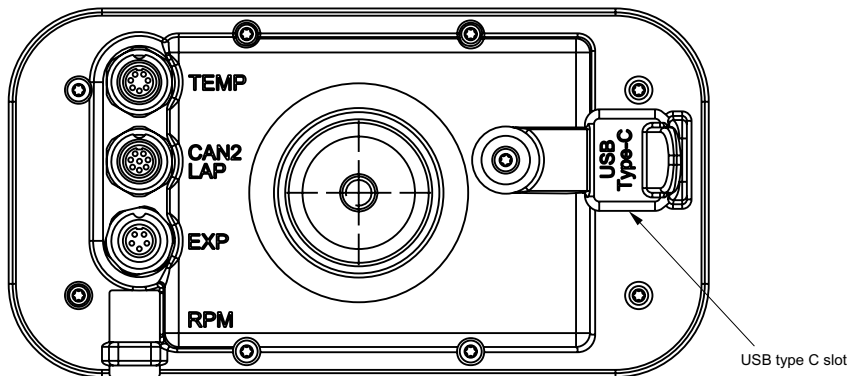
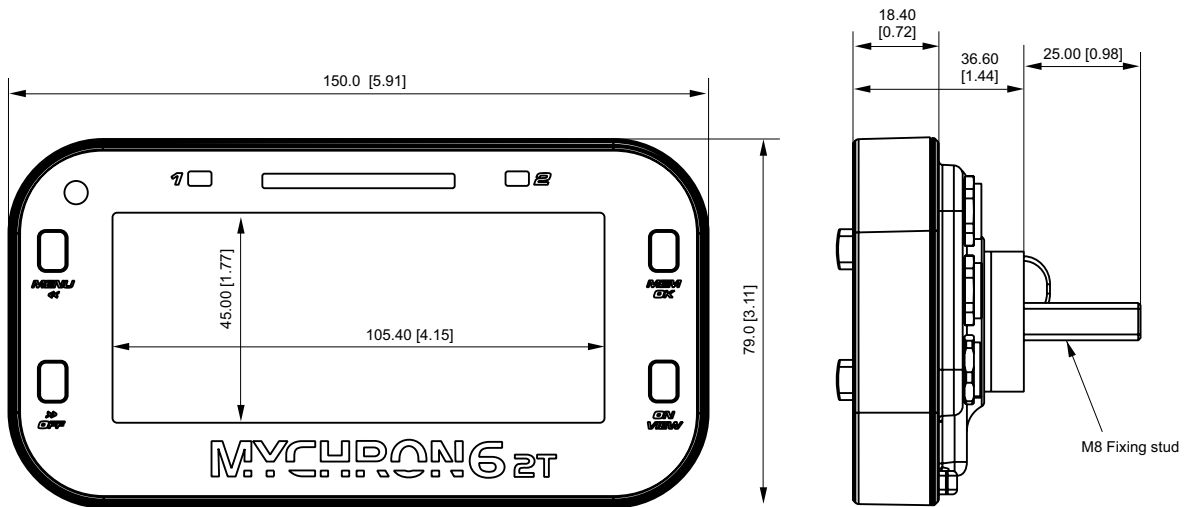




# AiM MyChron6/6 2T

Dash logger

MyChron6 2T





# AiM MyChron6/6 2T

## Dash logger

### Technical specifications



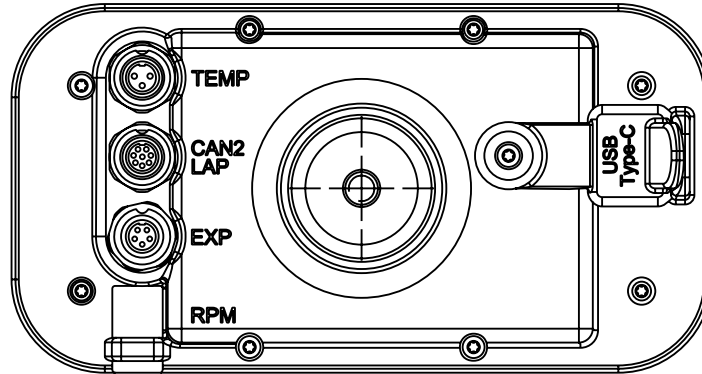
	<b>MyChron6</b>	<b>MyChron6 2T</b>
<b>Display</b>	Graphical	Graphical
<b>Display resolution</b>	320x136 pixels	320x136 pixels
<b>Backlight</b>	8 configurable RGB colors	8 configurable RGB colors
<b>Shift lights/alarm LEDs</b>	5 + 2 configurable RGB LEDs	5 + 2 configurable RGB LEDs
<b>Integrated track database</b>	Yes	Yes
<b>Wi-Fi connection</b>	Yes	Yes
<b>Bluetooth connection</b>	Yes	Yes
<b>GPS</b>	25 Hz	25 Hz
<b>External power</b>	9÷15 V	9÷15 V
<b>CAN connections</b>	2	2
<b>Connectors</b>	1 Binder 712 fem 3 pins connector 1 Binder 712 fem 8 pins connector 1 Binder 712 fem 5 pins connector	1 Binder 712 fem 7 pins connector 1 Binder 712 fem 8 pins connector 1 Binder 712 fem 5 pins connector
<b>USB connection</b>	For data download, mass storage support and battery charge	For data download, mass storage support and battery charge
<b>Temperature inputs</b>	1	2
<b>Inertial platform</b>	6 axis, frequency 50 Hz	6 axis, frequency 50 Hz
<b>Digital inputs</b>	Optical lap signal Magnetic lap signal	Optical lap signal Magnetic lap signal
<b>Digital outputs</b>	1, programmable high/low activation	1, programmable high/low activation
<b>External modules</b>	MyChron Expansion IR Temperature Controller SmartyCam 3 Series Lambda (LCU-One and LCU1S)	MyChron Expansion IR Temperature Controller SmartyCam 3 Series Lambda (LCU-One and LCU1S)
<b>Memory</b>	4 GB	4 GB
<b>Internal battery type</b>	Rechargeable Lithium	Rechargeable Lithium
<b>Battery life</b>	20 h approx.	20 h approx.
<b>Body</b>	PA6 GS30%	PA6 GS30%
<b>Dimensions</b>	150.0 x 79.0 x 36.6 mm	150.0 x 79.0 x 36.6 mm
<b>Weight</b>	370 g	370 g
<b>Waterproof</b>	IP67	IP67

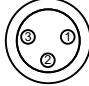




# AiM MyChron6/6 2T

Dash logger

## Pinout MyChron6



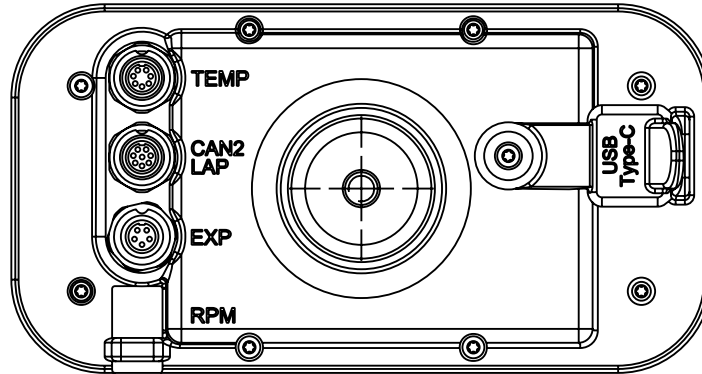
<b>TEMP</b> 3 pins Binder 712 female connector (external view)	<b>CAN2 LAP</b> 8 pins Binder 712 female connector (external view)	<b>EXP</b> 5 pins Binder 712 female connector (external view)
 <ul style="list-style-type: none"> <li>1 - Thermocouple +</li> <li>2 - GND/Thermocouple -</li> <li>3 - Thermoresistor</li> </ul>	 <ul style="list-style-type: none"> <li>1 - CAN2 H</li> <li>2 - CAN2 L</li> <li>3 - Digital Out</li> <li>4 - Optical Lap</li> <li>5 - +Vb Out</li> <li>6 - GND</li> <li>7 - Magnetic Lap</li> <li>8 - Reserved</li> </ul>	 <ul style="list-style-type: none"> <li>1 - CAN+ Exp</li> <li>2 - GND</li> <li>3 - +Vbout CAN</li> <li>4 - CAN- Exp</li> <li>5 - +Vbext CAN</li> </ul>






# AiM MyChron6/6 2T

Dash logger

## Pinout MyChron6 2T



TEMP 7 pins Binder 712 female connector (external view)	CAN2 LAP 8 pins Binder 712 female connector (external view)	EXP 5 pins Binder 712 female connector (external view)
		
1 - Thermocouple 1+ 2 - Thermocouple 1- 3 - Thermocouple 2+ 4 - GND/Thermocouple 2- 5 - Thermoresistor 1 6 - GND 7 - Thermoresistor 2	1 - CAN2 H 2 - CAN2 L 3 - Digital Out 4 - Optical Lap 5 - +Vb Out 6 - GND 7 - Magnetic Lap 8 - Reserved	1 - CAN+ Exp 2 - GND 3 - +Vbout CAN 4 - CAN- Exp 5 - +Vbext CAN