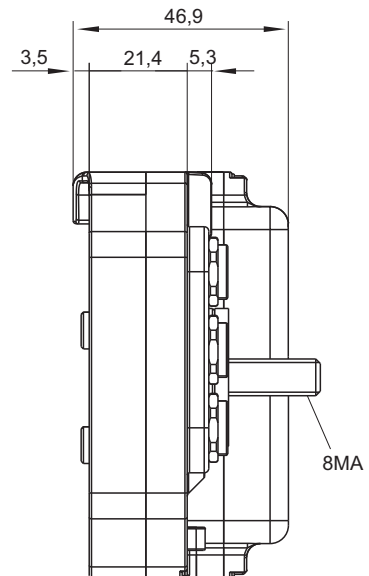
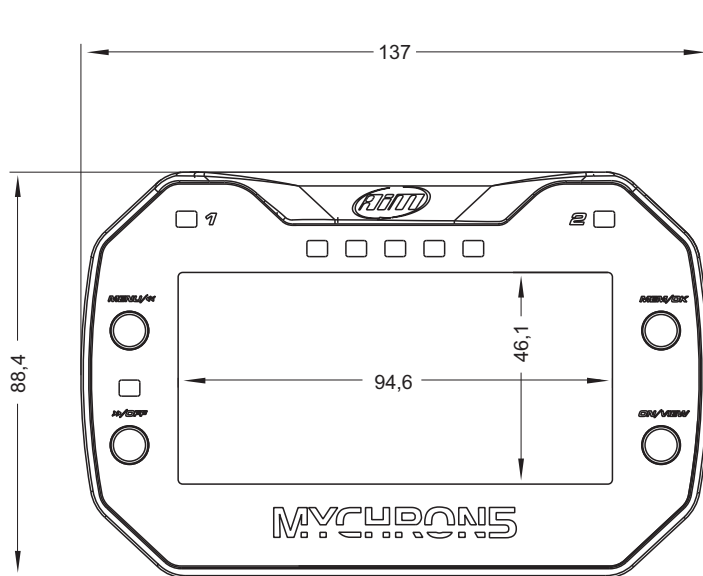


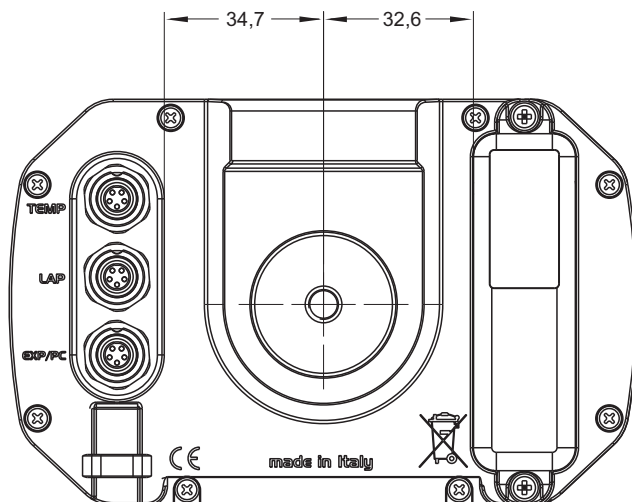


# AiM MyChron5/2T

Dash logger



DIMENSIONS IN mm





# AiM MyChron5/2T

Dash logger

## MyChron4 vs MyChron5



<b>GPS</b>	Optional	Integrated
<b>Inertial platform</b>	--	Included
<b>Wi-Fi connection</b>	--	Included
<b>Display resolution</b>	160x96 pixel	268x128 pixel
<b>Backlight</b>	1 color	7 configurable RGB colors
<b>Ambient light sensor</b>	--	Included
<b>Multifunction LEDs</b>	1 Shift light	5 RGB LEDs*
<b>Alarm LEDs</b>	2	2 configurable
<b>RPM sampling frequency</b>	10 Hz	50 Hz
<b>Body</b>	ABS Plastics	Glass fiber reinforced Nylon
<b>Pushbuttons</b>	Rubber	Metal
<b>Battery</b>	Traditional 9V	Rechargeable Lithium
<b>Memory</b>	16 Mb	4 Gb
<b>Dimensions</b>	125,7 x 87,7 x 46 mm	137 x 88,4 x 47 mm
<b>Weight, battery included</b>	320 g	390 g
<b>Waterproof</b>	IP65	IP67

\* Configurable as shift lights or RPM/laptimes alert



# AiM MyChron5/2T

## Dash logger

### In the box

MyChron5, battery charger with cable, RPM cable, temperature sensor.  
Optic/magnetic receiver optional.

### Available kits

<b>X80M5CHT0</b>	MyChron5 with CHT sensor
<b>X80M5EGT0</b>	MyChron5 with EGT sensor
<b>X80M5EGTT12</b>	MyChron5 with EGT-T12 sensor
<b>X80M5TRM10</b>	MyChron5 with M10 water temp sensor

### Optionals

<b>X41RX12090</b>	Infrared optical lap time receiver - Metallic connector - cm 90 cable
<b>X41RX12140</b>	Infrared optical lap time receiver - Metallic connector - cm 140 cable
<b>X02RXMGC3SMP</b>	Magnetic lap time receiver
<b>V02557020</b>	External power cable
<b>X80MYC5TPB</b>	Kit battery cover
<b>X06A12VBME</b>	12V battery charger EU
<b>X06A12VBMU</b>	12V battery charger USA
<b>X06A12VBMG</b>	12V battery charger UK
<b>X06A12VBMA</b>	12V battery charger AUS

### Spare parts

<b>2BT18650TDM</b>	Battery
<b>XSMCABATM5</b>	Battery charger
<b>X06AHB068</b>	USB/AC power adapter EU
<b>X06AHB070</b>	USB/AC power adapter USA
<b>X06AHB077</b>	USB/AC power adapter UK
<b>X06AHB071</b>	USB/AC power adapter AUS
<b>X90TMPC000</b>	USB cable
<b>X80M5KCBUSB1E</b>	Battery charger kit EU*
<b>X80M5KCBUSB1U</b>	Battery charger kit USA*
<b>X80M5KCBUSB1G</b>	Battery charger kit UK*
<b>X80M5KCBUSB1A</b>	Battery charger kit AUS*
<b>X05SNRPMY0</b>	RPM cable

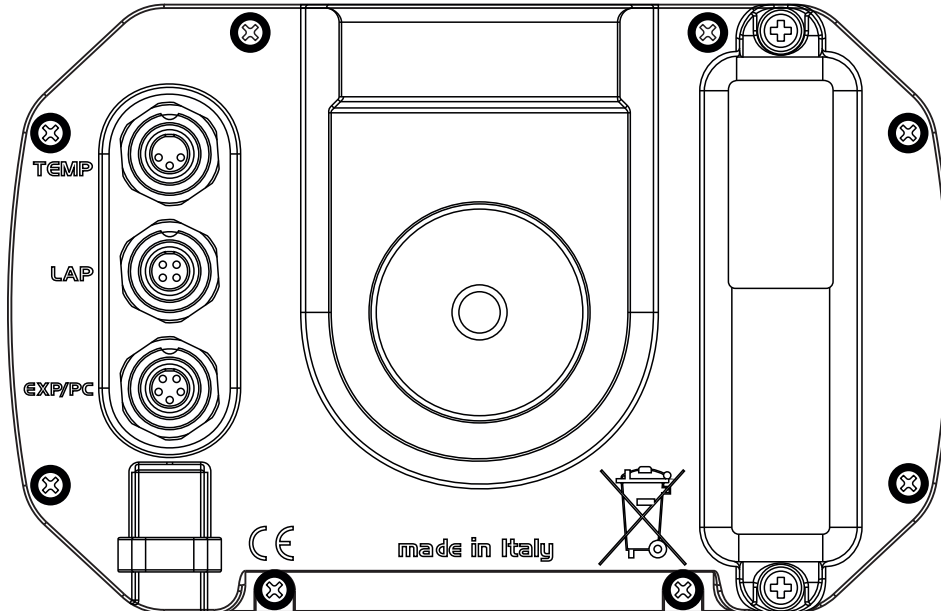
\*The kit includes the battery charger, the UBS/AC power adapter and the USB cable.

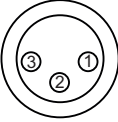
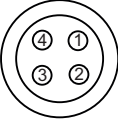
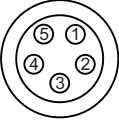


# AiM MyChron5/2T

Dash logger

## Pinout MyChron5



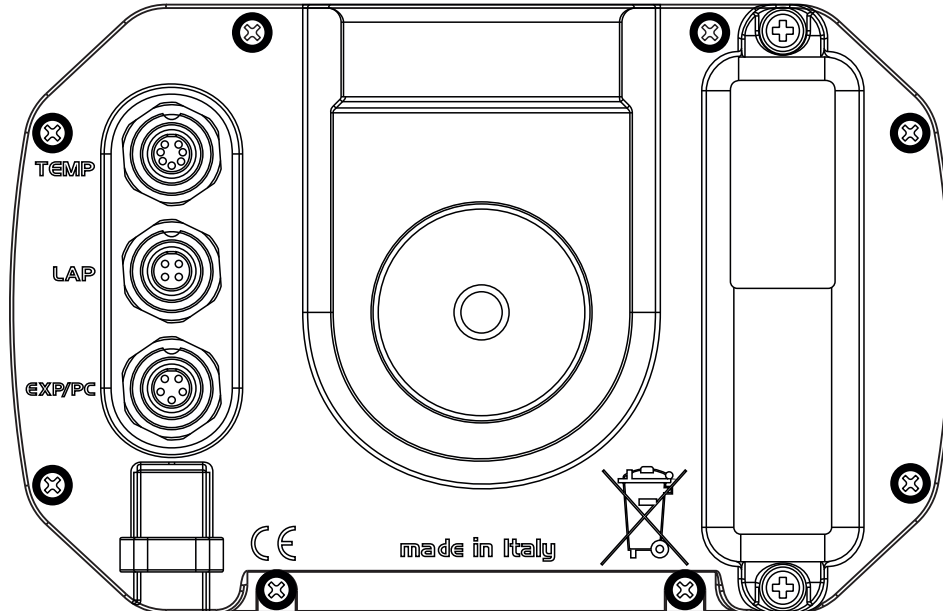
TEMP	LAP	EXP/PC
3 pins Binder 712 female connector (external view)	4 pins Binder 712 female connector (external view)	5 pins Binder 712 female connector (external view)
		
1 - Thermocouple 2 - GND 3 - Thermo resistor	1 - Magnetic Lap 2 - GND 3 - +Vbattery 4 - Optical Lap	1 - CAN+ Exp 2 - GND 3 - +Vbout CAN 4 - CAN- Exp 5 - +Vbext CAN

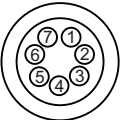
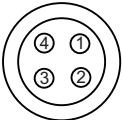
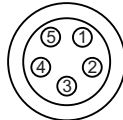


# AiM MyChron5/2T

Dash logger

## Pinout MyChron5 2T



<b>TEMP</b> 7 pins Binder 712 female connector (external view)	<b>LAP</b> 4 pins Binder 712 female connector (external view)	<b>EXP/PC</b> 5 pins Binder 712 female connector (external view)
 <ul style="list-style-type: none"> <li>1 - Thermocouple 1</li> <li>2 - GND</li> <li>3 - Thermocouple 2</li> <li>4 - GND</li> <li>5 - Thermo resistor 1</li> <li>6 - GND</li> <li>7 - Thermo resistor 2</li> </ul>	 <ul style="list-style-type: none"> <li>1 - Magnetic Lap</li> <li>2 - GND</li> <li>3 - +Vbattery</li> <li>4 - Optical Lap</li> </ul>	 <ul style="list-style-type: none"> <li>1 - CAN+ Exp</li> <li>2 - GND</li> <li>3 - +Vbout CAN</li> <li>4 - CAN- Exp</li> <li>5 - +Vbext CAN</li> </ul>