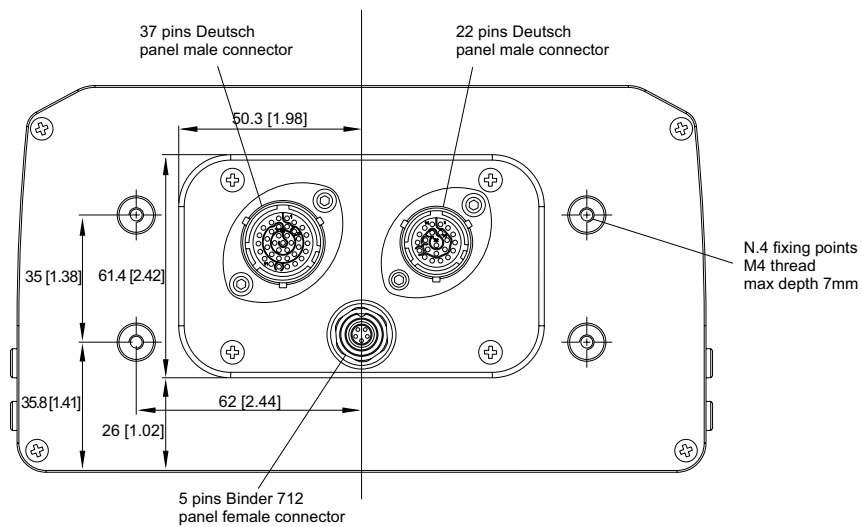
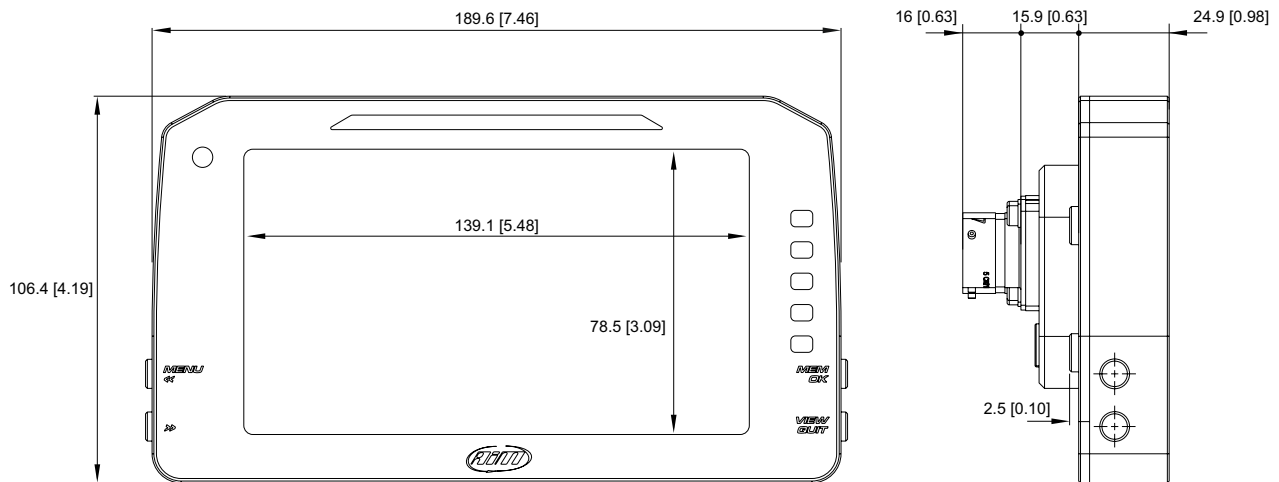




AiM MXP 1.3

TFT Dash Logger





AiM MXP 1.3

TFT Dash Logger

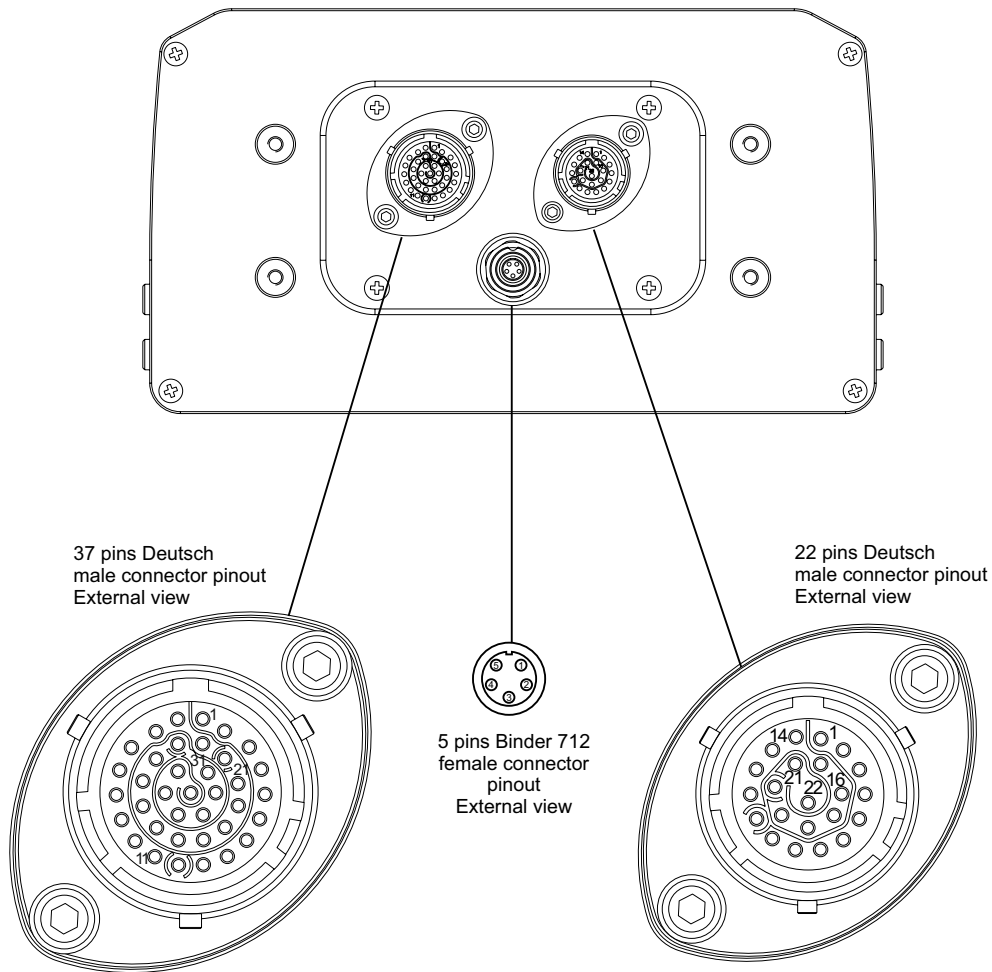
Technical specifications

Display	6" TFT
Resolution	800x480 pixels
Contrast	600:1
Brightness	700cd/m2 - 1,100 Lumen
Ambient light sensor	Yes
Alarm display icons	Yes, freely configurable
Shift Lights	10 configurable RGB LEDs
Alarm LEDs	5 configurable RGB LEDs
CAN connections	3
ECU connection	CAN, RS232 or K-Line to 2,000+ industry leading ECUs
ECU compatibility	1,000+ industry leading ECUs
Expansion CAN connection	GPS09c, Channel Expansion, TC Hub (necessary to connect thermocouple sensors), Lambda Controller, SmartyCam 3 Series
Inertial platform	Internal 3 axis $\pm 5G$ accelerometer + 3 axis gyro max 100 Hz
Analog/digital inputs	8 fully configurable, max 500 Hz each
Digital inputs	4 Speed inputs, lap signal, coil RPM input
Digital outputs	2 (1 A max each)
Second CAN	Yes
Wi-Fi connection	Yes
Internal memory	4 GB
Body	Anodized Aluminum
Pushbuttons	Metallic
Connectors	2 Motorsport connectors + 1 Binder connector
Dimensions	189.6 x 106.4 x 24.9 mm
Weight	640 g
Power consumption	400 mA
Waterproof	IP67

Part numbers

XA6MXP13G1	MXP 1.3 + 1.3 m GPS09c + 37 pins standard harness
XA6MXP20G1	MXP 1.3 + 2 m GPS09c + 37 pins standard harness
XA6MXP40G1	MXP 1.3 + 4 m GPS09c + 37 pins standard harness
XA6MXP20R1	MXP 1.3 + 2 m GPS09c Roof version + 37 pins standard harness
XA6MXP40R1	MXP 1.3 + 4 m GPS09c Roof version + 37 pins standard harness

Pinout



Pin	Deutsch 37 pin
1	9-15V Power input
2	Battery GND
3	CAN+ Exp
4	GND
5	+Vbattery CAN
6	CAN- Exp
7	+Vb Ext
8	CAN1+ ECU
9	CAN 1- ECU
10	GND
11	K Line ECU
12	USB D+
13	USB D-
14	GND
15	RPM
16	GND
17	+Vbattery
18	Optical Lap
19	Speed1

Pin	Deutsch 37 pin
20	GND
21	+Vbattery
22	Analog Input 1
23	Analog GND
24	+Vbattery
25	+Vreference
26	Analog Input 2
27	Analog GND
28	+Vbattery
29	+Vreference
30	Analog Input 3
31	Analog GND
32	+Vbattery
33	+Vreference
34	Analog Input 4
35	Analog GND
36	+Vbattery
37	+Vreference

Pin	Binder
1	Video input 1
2	GND
3	+Vb output Camera
4	GND
5	Video input 2

Pin	Deutsch 22 pin
1	Analog Input 5
2	Analog GND
3	+Vbattery
4	+Vreference
5	Analog Input 6
6	Analog Input 7
7	Analog GND
8	+Vbattery
9	+Vreference
10	Analog Input 8
11	Speed 2
12	GND
13	+Vbattery
14	Speed 3
15	Speed 4
16	GND
17	CAN2+ ECU
18	CAN2- ECU
19	Digital output 1
20	Digital output 2
21	ECU RS232 Rx
22	ECU RS232 Tx