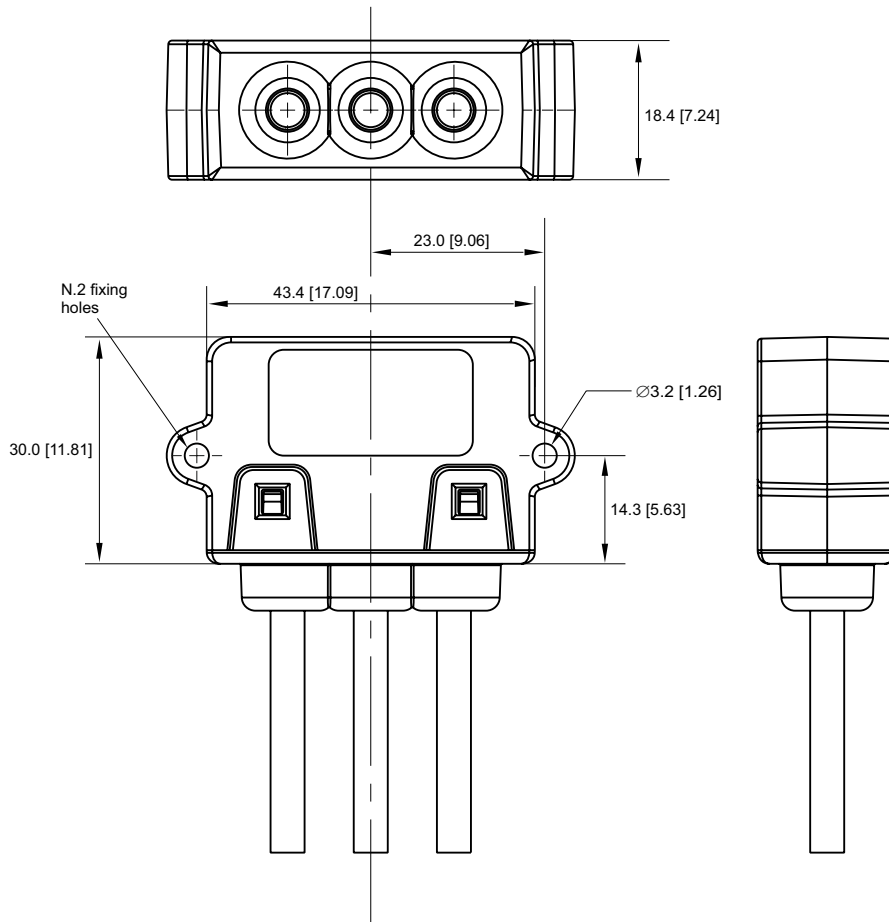




# LCU1S

Lambda Controller



Dimensions in mm [inches]



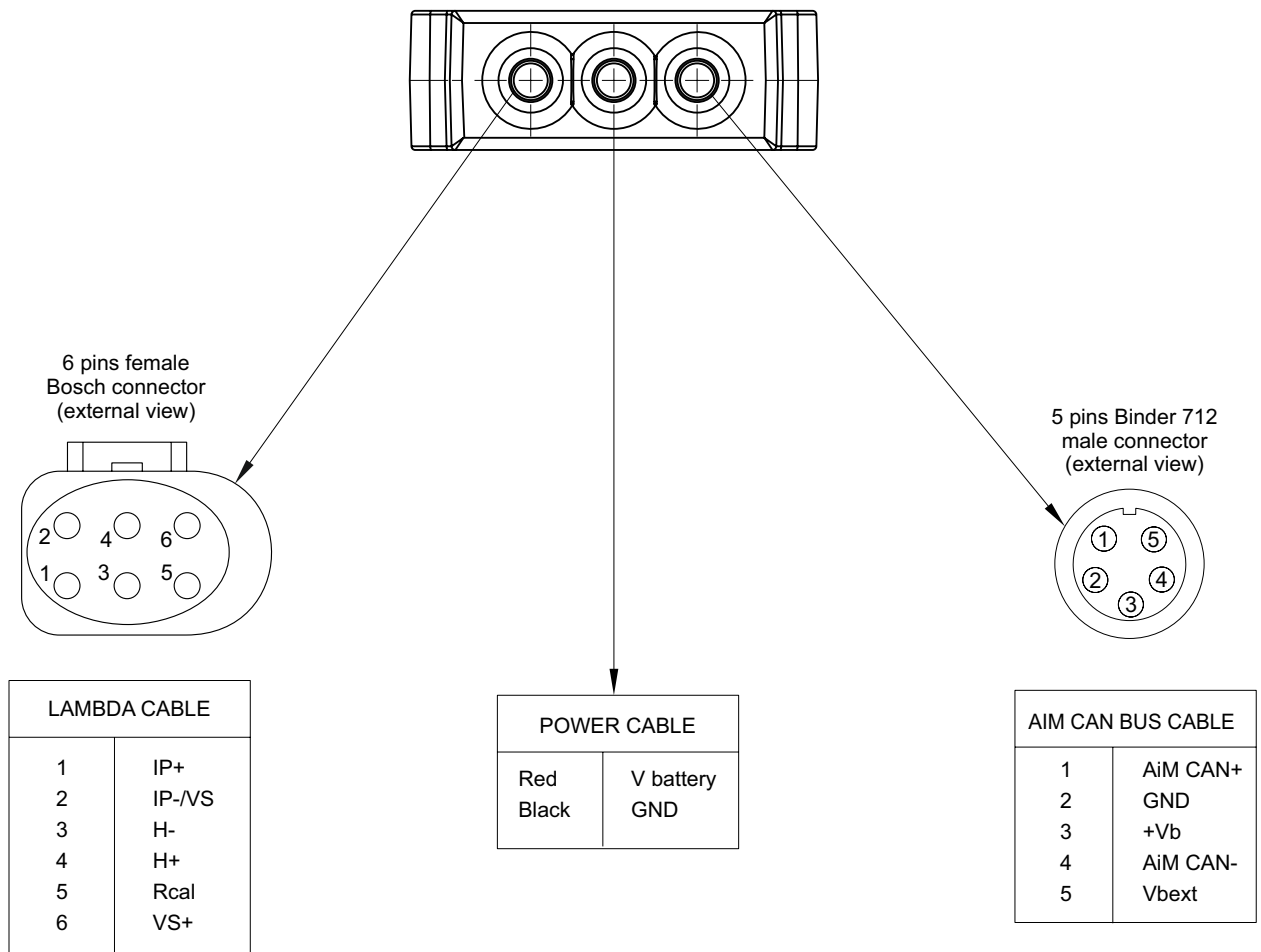
# LCU1S

## Lambda Controller

### Technical specifications

<b>Sensor compatibility</b>	Bosch LSU 4.9
<b>Power supply voltage</b>	9÷15 V
<b>Power supply current</b>	50 mA + sensor heater typical current 750 mA up to 2 A on cold sensor
<b>Reaction time</b>	Less than 10 msec
<b>Material</b>	Latigloss 57
<b>Dimensions</b>	43.4 x 30 x 18.4 mm
<b>Weight</b>	70 g
<b>Waterproof</b>	IP67

### Pinout

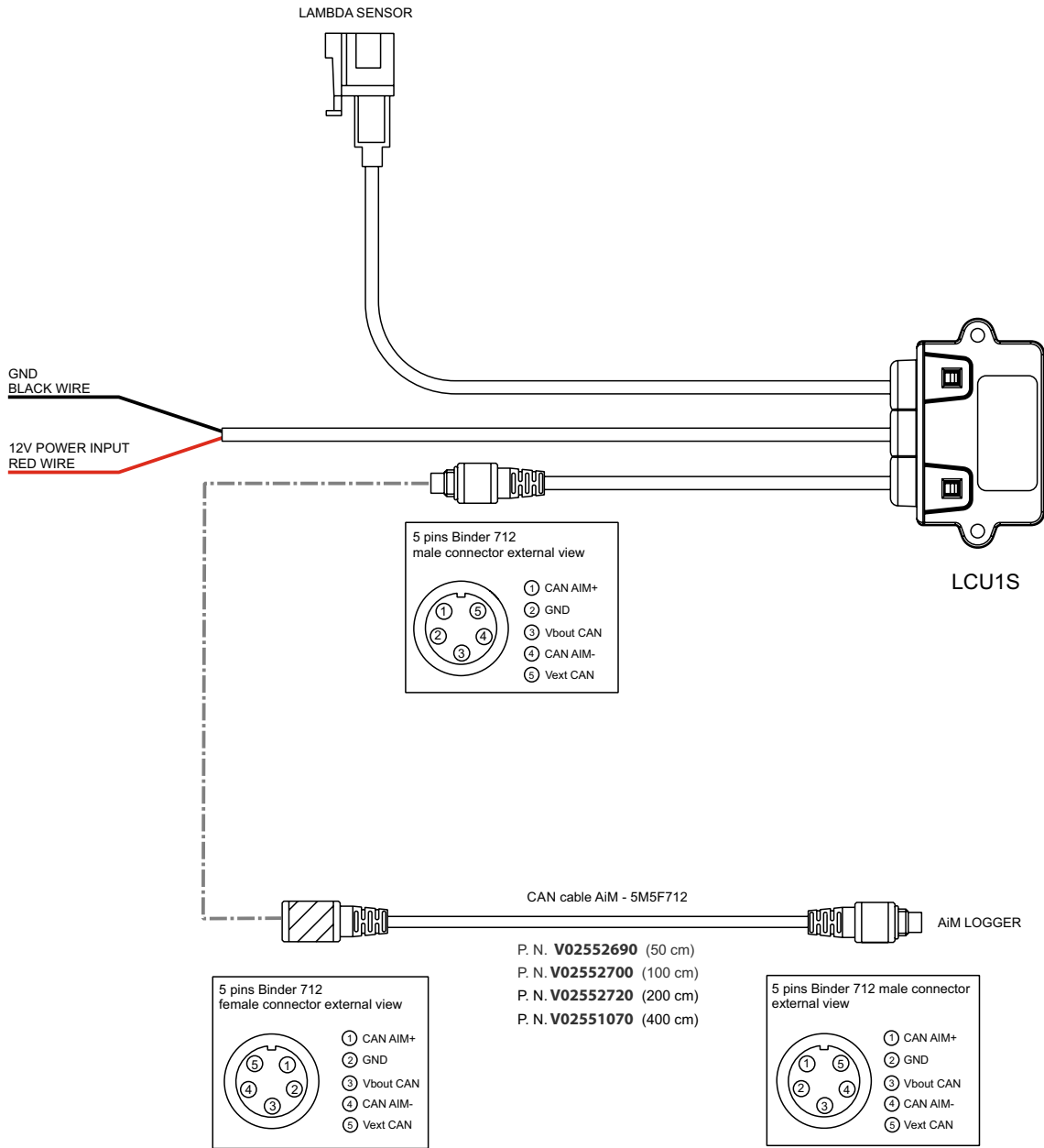




# LCU1S

## Lambda Controller

### Connections



EXTERNAL POWER SUPPLY IS ALWAYS REQUIRED



# LCU1S

## Lambda Controller

### Part numbers

<b>X08LCU1SAC0</b>	LCU1S AiM no Lambda probe
<b>X08LCU1SAC090</b>	LCU1S AiM Exp (includes: LCU1S + BOSCH LSU 4.9 Lambda probe + Thread iron ring for installation)

### Accessories/spare parts

<b>X05LSU490</b>	BOSCH LSU 4.9 Lambda probe
<b>LBS552680</b>	Thread iron ring for installation
<b>V02552690</b>	CAN cable AiM - 5M5F712 50 cm
<b>V02552700</b>	CAN cable AiM - 5M5F712 100 cm
<b>V02552720</b>	CAN cable AiM - 5M5F712 200 cm
<b>V02551070</b>	CAN cable AiM - 5M5F712 400 cm