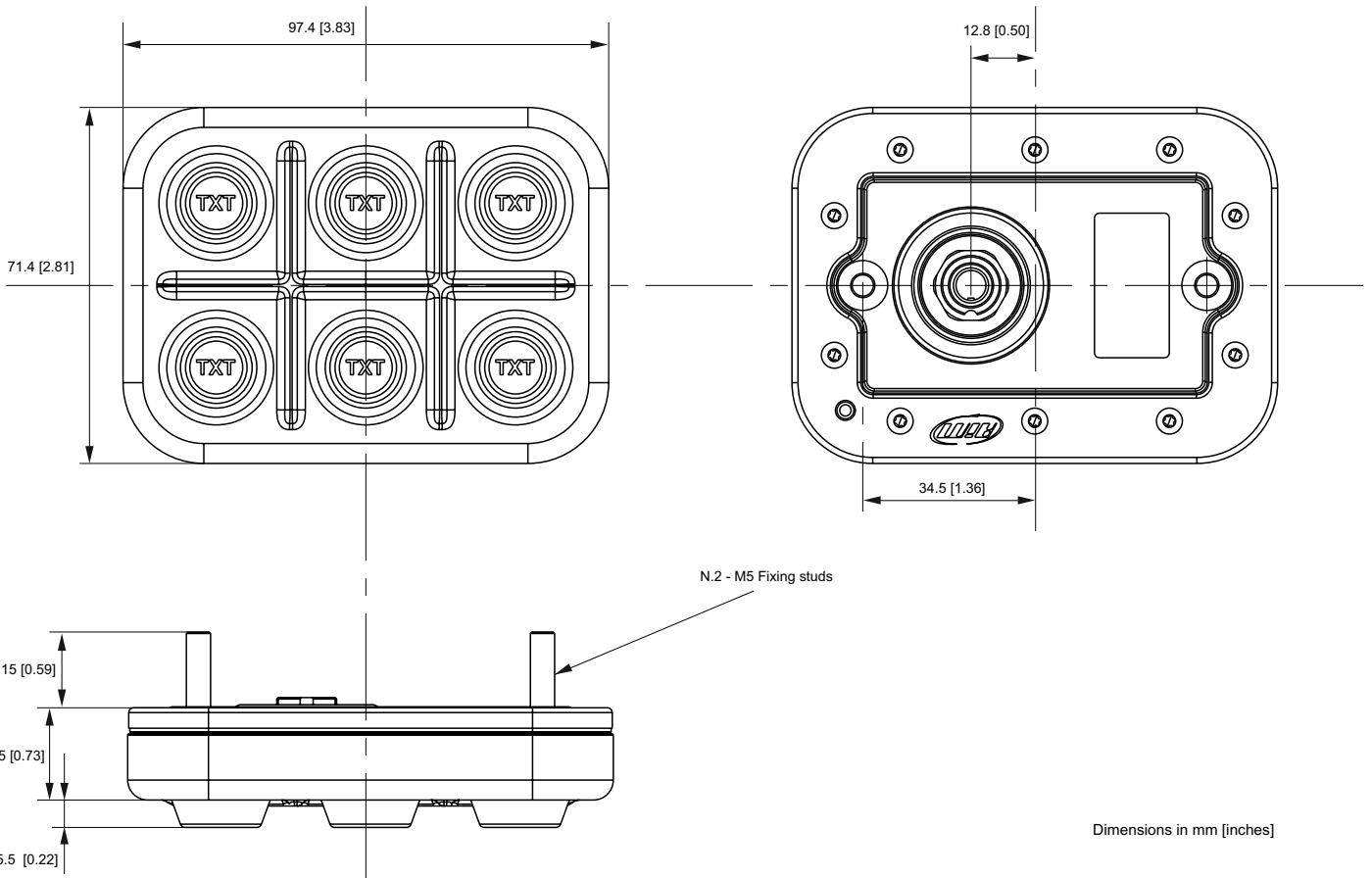




# AiM K6 Keypad

CAN-BUS keypad





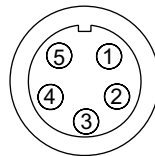
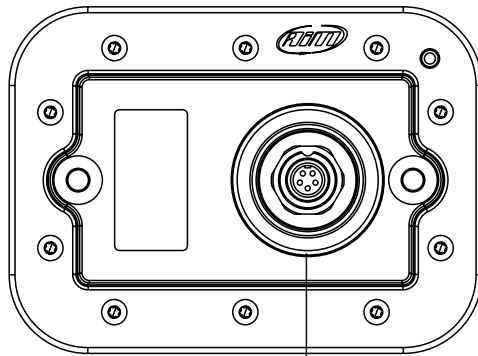
# AiM K6 Keypad

## CAN-BUS keypad

### Technical specifications

<b>Keys</b>	6 programmable keys (momentary, toggle, multistatus)
<b>Backlight buttons</b>	RGB with dimming option
<b>Connection</b>	CAN AiM Binder 5 pins
<b>Material</b>	Rubber silicon and PA6 GS30%
<b>Dimensions</b>	97.4 x 71.4 x 24 mm
<b>Weight</b>	120 g
<b>Waterproof</b>	IP67

### Pinout



5 pins Binder 712 female connector pinout (external view)

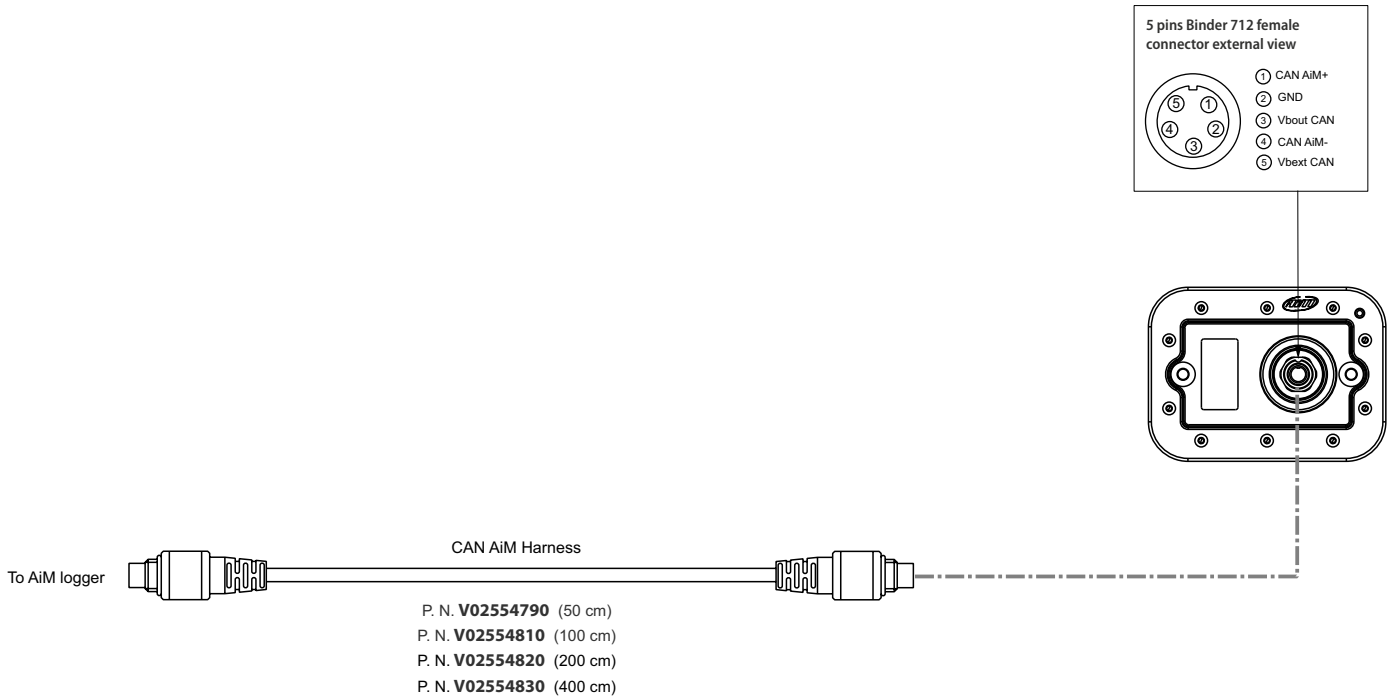
AiM CAN bus cable	
1	AiM CAN+
2	GND
3	+Vb
4	AiM CAN-
5	Vbext



# AiM K6 Keypad

## CAN-BUS keypad

### Connections



### Part numbers

<b>X08KPK6</b>	Keypad K6 without cables
<b>X08KPK6AC050</b>	Keypad K6 + CAN cable AiM - 5MM712 50 cm
<b>X08KPK6AC100</b>	Keypad K6 + CAN cable AiM - 5MM712 100 cm
<b>X08KPK6AC200</b>	Keypad K6 + CAN cable AiM - 5MM712 200 cm
<b>X08KPK6AC400</b>	Keypad K6 + CAN cable AiM - 5MM712 400 cm
<b>X08KPK8KICONS</b>	Icons kit (72 pieces)
<b>PART NUMBERS HERE</b>	Single icons (chosen by the user)
<b>V02554790</b>	CAN AiM Harness 50 cm
<b>V02554810</b>	CAN AiM Harness 100 cm
<b>V02554820</b>	CAN AiM Harness 200 cm
<b>V02554830</b>	CAN AiM Harness 400 cm