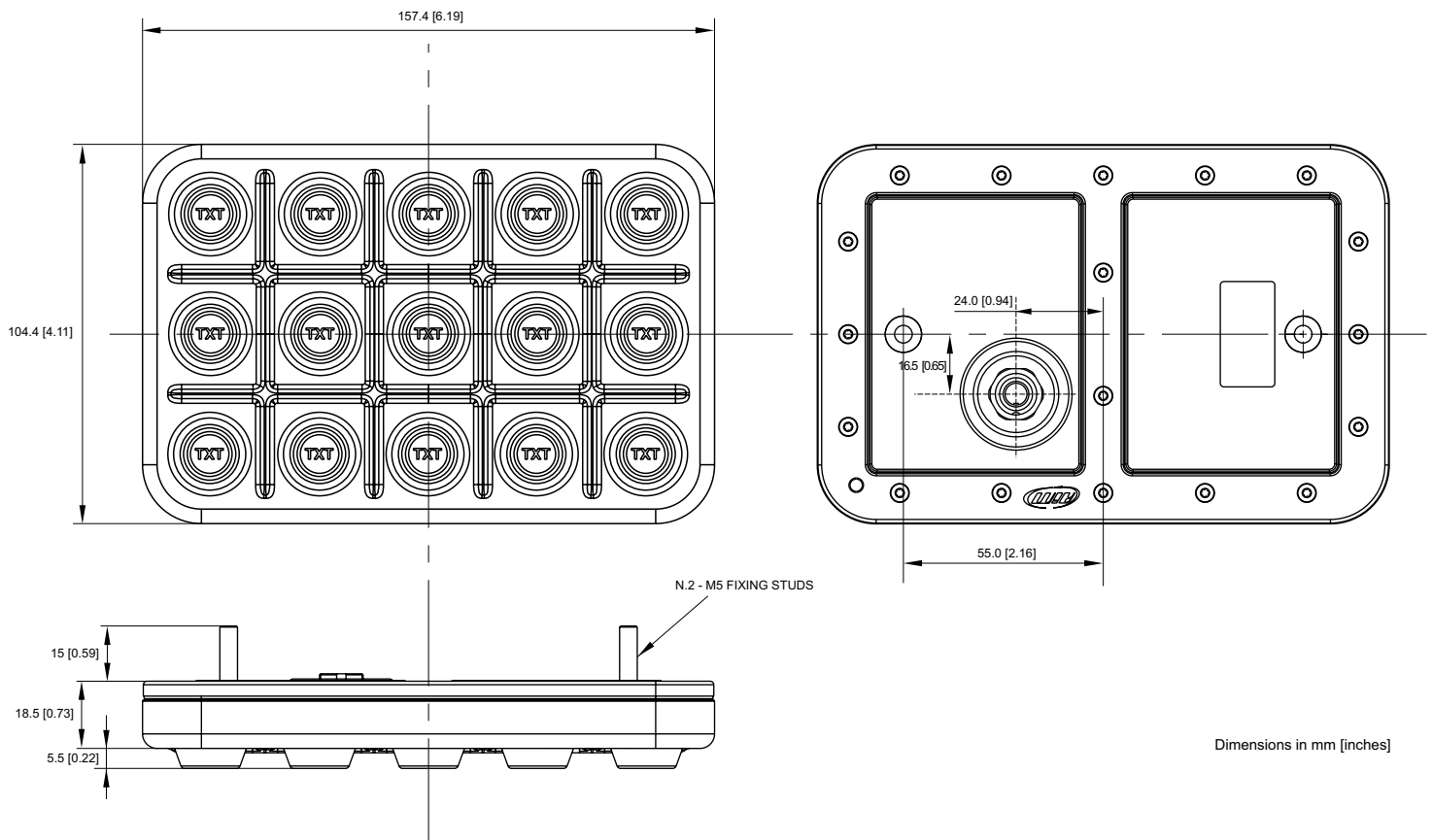




# AiM K15 Keypad

CAN-BUS keypad





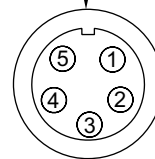
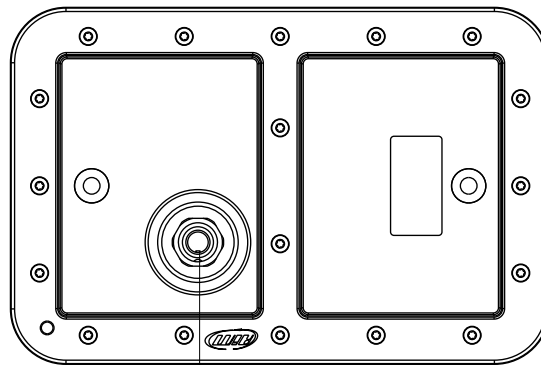
# AiM K15 Keypad

## CAN-BUS keypad

### Technical specifications

<b>Keys</b>	15 programmable keys (momentary, toggle, multistatus)
<b>Backlight buttons</b>	RGB with dimming option
<b>Connection</b>	CAN AiM Binder 5 pins
<b>Material</b>	Rubber silicon and PA6 GS30%
<b>Dimensions</b>	157.4 x 104.4 x 24 mm
<b>Weight</b>	250 g
<b>Waterproof</b>	IP67

### Pinout



5 pins Binder 712 female connector (external view)

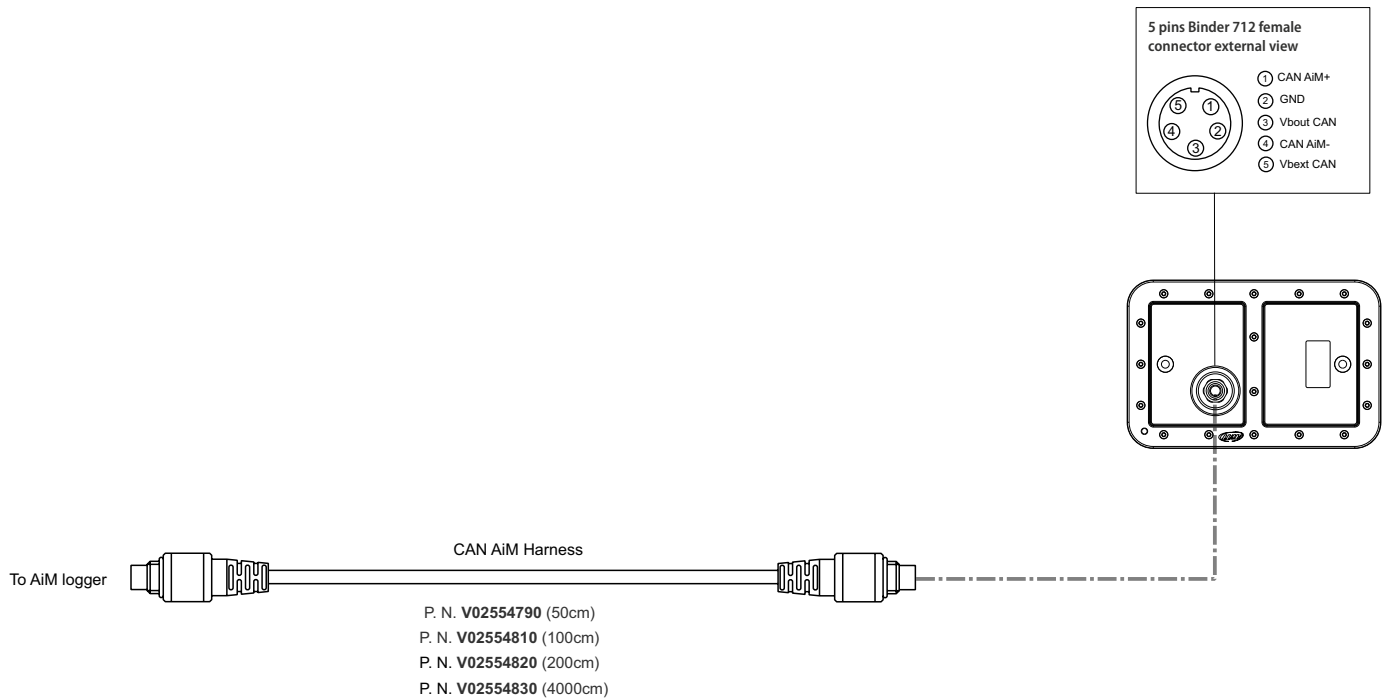
AiM CAN bus cable	
1	AiM CAN+
2	GND
3	+Vb
4	AiM CAN-
5	Vbext



# AiM K15 Keypad

## CAN-BUS keypad

### Connections



### Part numbers

<b>X08KPK15</b>	Keypad K15 without cables
<b>X08KPK15AC050</b>	Keypad K15 + CAN cable AiM - 5MM712 50 cm
<b>X08KPK15AC100</b>	Keypad K15 + CAN cable AiM - 5MM712 100 cm
<b>X08KPK15AC200</b>	Keypad K15 + CAN cable AiM - 5MM712 200 cm
<b>X08KPK15AC400</b>	Keypad K15 + CAN cable AiM - 5MM712 400 cm
<b>X08KPK8KICONS</b>	Icons kit (72 pieces)
<b>PART NUMBERS HERE</b>	Single icons (chosen by the user)
<b>V02554790</b>	CAN cable AiM - 5MM712 50 cm
<b>V02554810</b>	CAN cable AiM - 5MM712 100 cm
<b>V02554820</b>	CAN cable AiM - 5MM712 200 cm
<b>V02554830</b>	CAN cable AiM - 5MM712 400 cm