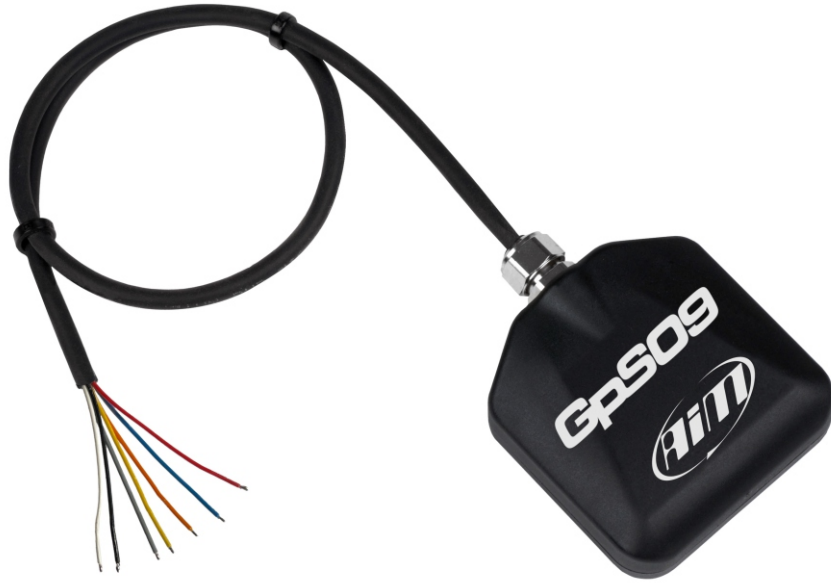




AiM GPS09c Open and Pro Open - Free wires

Expansion



GPS09c Open and Pro Open - Free wires



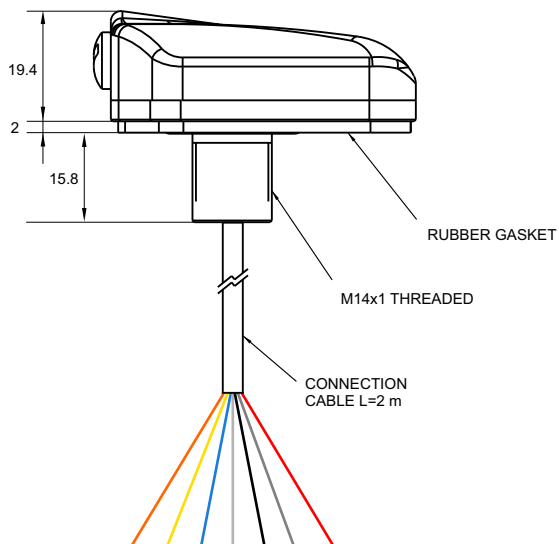
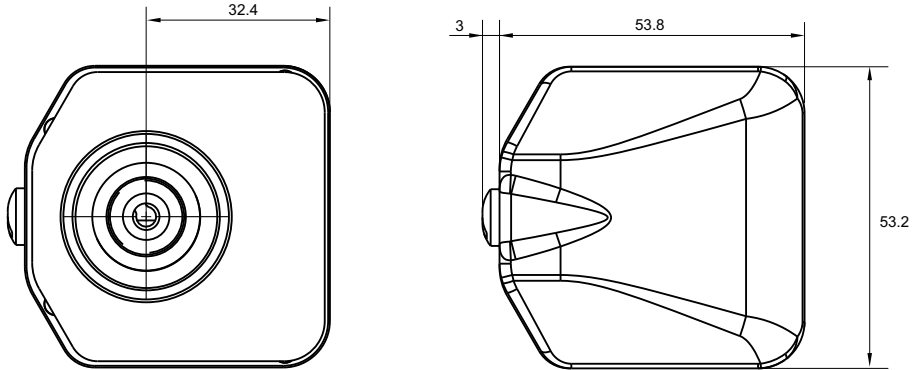
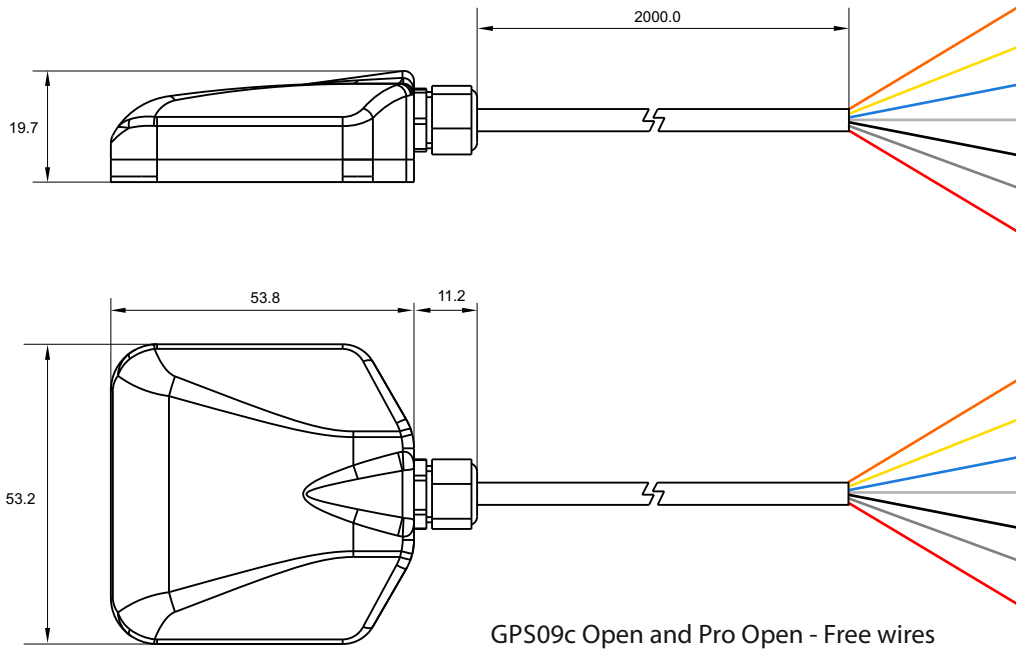
GPS09c Open and Pro Open, Roof version - Free wires



AiM GPS09c Open and Pro Open - Free wires

Expansion

Dimensions



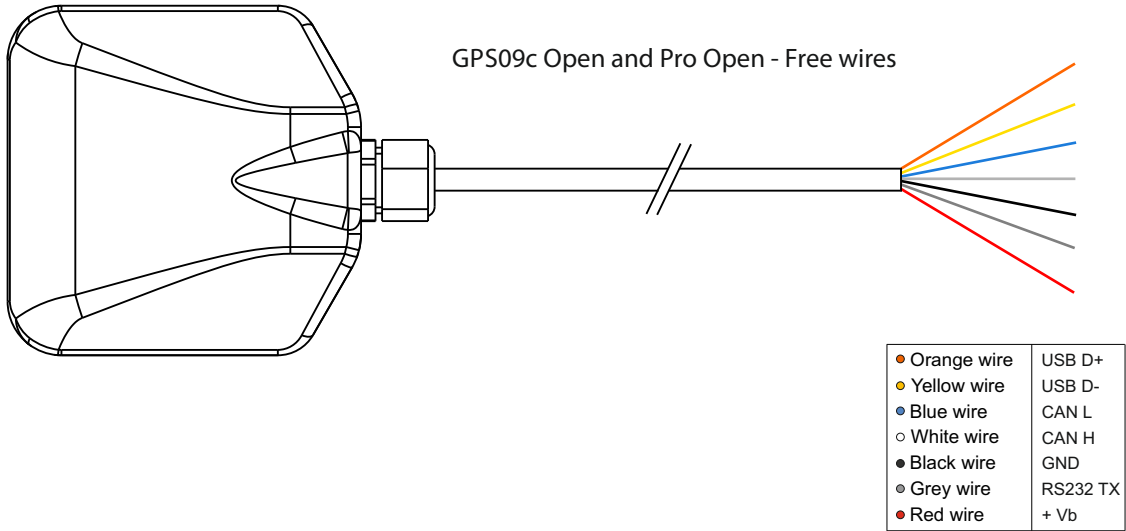
Dimensions in mm



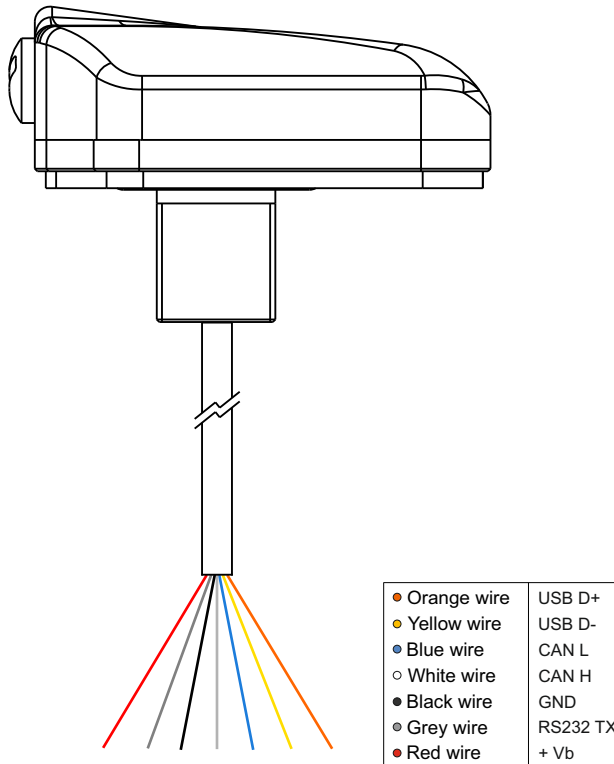
AiM GPS09c Open and Pro Open - Free wires

Expansion

Pinout



GPS09c Open and Pro Open,
Roof version - Free wires





AiM GPS09c Open and Pro Open - Free wires

Expansion

Technical specifications

GPS09c Open - Free wires

GPS	25 Hz
External power	5÷15 V
Inertial platform	No
Connection	CAN, RS232
Dimensions	53.2 x 53.8 x 19.7 mm (Open) 53.2 x 53.8 x 37.2 mm (Open Roof version)
Weight	60.5 g (Open) 100 g (Open Roof version)
Waterproof	IP65

GPS09c Pro Open - Free wires


GPS	25 Hz
External power	5÷15 V
Inertial platform	100 Hz internal 3 axis ±5G accelerometer + 3 axis gyro + 3 axis magnetometer
Connection	CAN, RS232
Dimensions	53.2 x 53.8 x 19.7 mm (Open Pro) 53.2 x 53.8 x 37.2 mm (Open Pro Roof version)
Weight	60.5 g (Pro Open) 100 g (Pro Open Roof version)
Waterproof	IP65




AiM GPS09c Open and Pro Open - Free wires Expansion

Part numbers


GPS09c Open Free wires 2 m

Description	Part number	
GPS09c Open Free wires 2 m	X40GPS09OSSFW20	

GPS09c Open Free wires 2 m, Roof version

Description	Part number	
GPS09c Open Free wires 2 m, Roof version	X40GPS09OSRFW20	

GPS09c Pro Open Free wires 2 m

Description	Part number	
GPS09c Pro Open Free wires 2m	X40GPS09OPSF20	

GPS09c Pro Open Free wires 2 m, Roof version

Description	Part number	
GPS09c Pro Open Free wires 2 m, Roof version	X40GPS09OPRFW20	