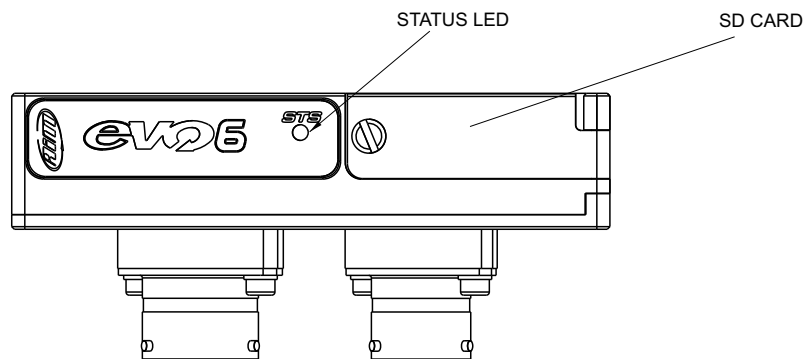
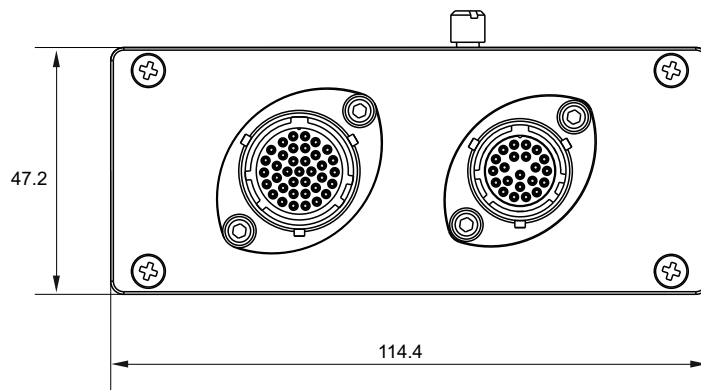
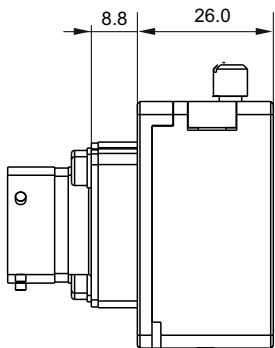
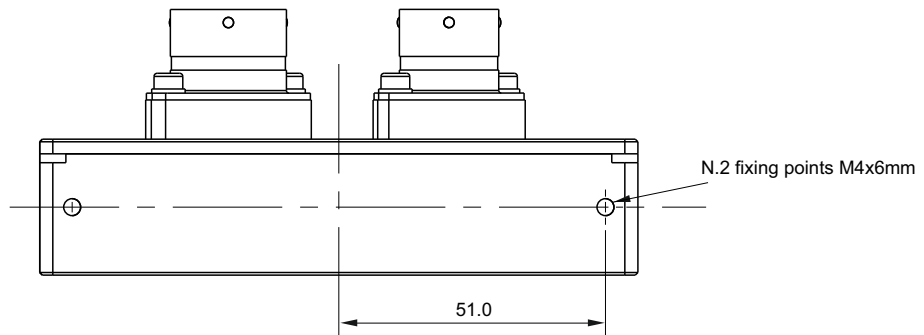




AiM EVO6

Logger





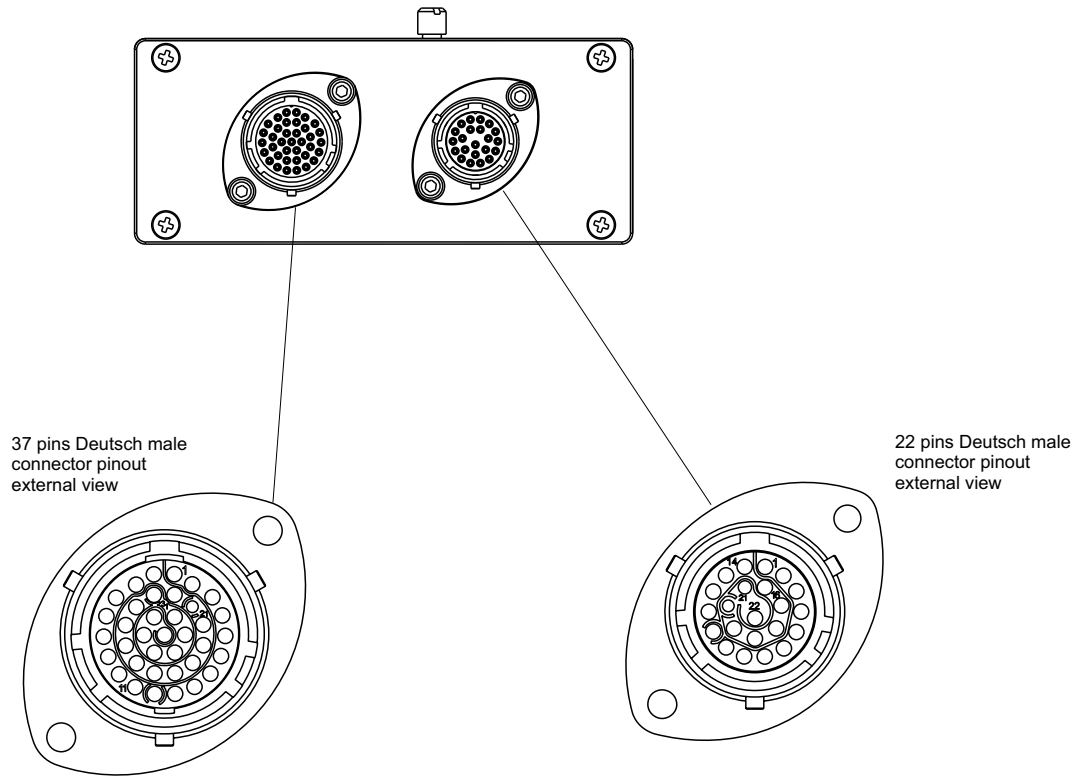
AiM EVO6

Logger

Technical specifications

ECU connection	CAN, RS232 or K-Line to 2,000+ industry leading ECUs
External modules	GPS09c, LCU Series, SmartyCam 3 Series
Analog inputs	8 fully configurable: 0-5V, 0-12V, K thermocouples, max freq. 1,000 Hz each
Digital inputs	Coil RPM and 4 speed inputs
Inertial platform	Internal 3 axis $\pm 5G$ accelerometer + 3 axis gyro
Digital outputs	2, up to 1 Amp each
Second CAN	Yes
Wi-Fi connection	Yes
Bluetooth	Yes
Internal memory	4 GB
SD card	Internal: up to 128 Gb
Connectors	2 Motorsport connectors
Body	Anodized Aluminum
LEDs	1 system status
Dimensions	114.4 x 47.2 x 26.0 mm
Weight	230 g
Waterproof	IP65

Pinout



Pin	Function
1	9-15V Power input
2	Battery GND
3	CAN+Exp
4	GND
5	+Vbattery CAN
6	CAN- Exp.
7	+Vbext
8	CAN1+ ECU
9	CAN 1- ECU
10	GND
11	K Line ECU
12	USB D+
13	USB D-
14	GND
15	RPM
16	GND
17	+VBattery
18	Optical Lap
19	Speed1
20	GND

Pin	Function
21	+Vbattery
22	Analog Input 1
23	Analog GND
24	+Vbattery
25	+Vreference
26	Analog Input2
27	Analog GND
28	+Vbattery
29	+Vreference
30	Analog Input3
31	Analog GND
32	+Vbattery
33	+Vreference
34	Analog Input4
35	Analog GND
36	+Vbattery
37	+Vreference

Pin	Function
1	Analog Input 5
2	Analog GND
3	+Vbattery
4	+Vreference
5	Analog Input 6
6	Analog Input 7
7	Analog GND
8	+Vbattery
9	+Vreference
10	Analog Input 8
11	Speed 2
12	GND
13	+Vbattery
14	Speed 3
15	Speed 4
16	GND
17	CAN2+ ECU
18	CAN2- ECU
19	Digital output 1
20	Digital output 2
21	RS232TX
22	RS232RX