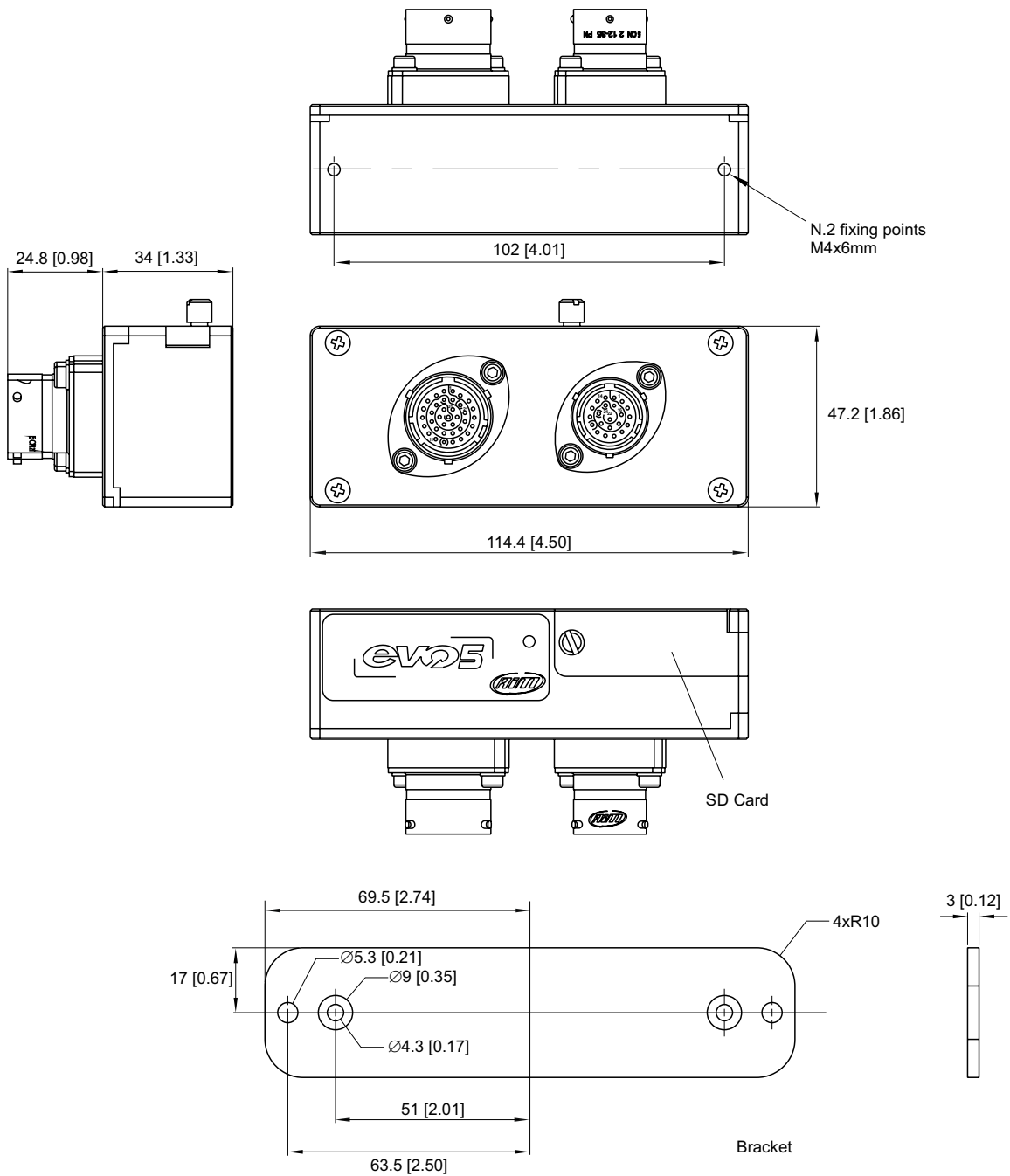




AiM EVO5

Logger





AiM EVO5

Logger

Technical specifications

| | |
|--------------------------|---|
| ECU connection | CAN, RS232 or K-Line to 2,000+ industry leading ECUs |
| External modules | GPS09c, Channel Expansion, TC Hub, Lambda Controller, SmartyCam 3 |
| Analog inputs | 8 fully configurable: 0-5V, 0-12V, K thermocouples, max freq. 500 Hz each |
| Digital inputs | Coil RPM and 4 speed inputs |
| Inertial platform | Internal 3 axis $\pm 5G$ accelerometer + 3 axis gyro |
| Digital outputs | 2, up to 1 Amp each |
| Second CAN | Yes |
| WiFi connection | Yes |
| Internal memory | 4 GB |
| SD card | Internal: up to 128 Gb |
| Connectors | 2 Motorsport connectors |
| Body | Anodized Aluminum |
| LEDs | 1 system status |
| Dimensions | 114.4 x 47.2 x 58.8 mm |
| Weight | 300 g |
| Waterproof | IP65 |

In the box

EVO5, 37 pin harness, USB cable, GPS09c, mounting bracket.
User manual & Race Studio 3 software freely downloadable from AiM web site.

| | |
|-------------------|--|
| X62EVO5130 | EVO5 with GPS09c with 1.30 m cable length |
| X62EVO5400 | EVO5 with GPS09c with 4 m cable length |
| X62EVO520R | EVO5 with GPS09c Roof version 2 m cable length |
| X62EVO540R | EVO5 with GPS09c Roof version 4 m cable length |

Accessories

| | |
|------------------|-------------------|
| V02586030 | 22 pin harness |
| 5CN822F00 | 22 pins connector |
| 5CN837F00 | 37 pins connector |

Spare parts

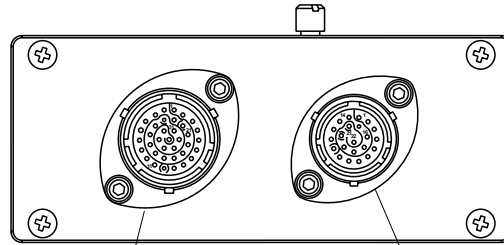
| | |
|------------------|----------------|
| V02573200 | USB cable |
| V02586020 | 37 pin harness |



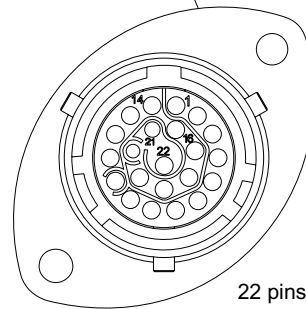
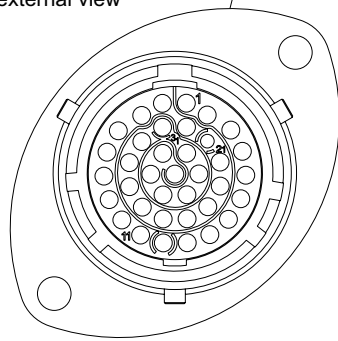
AiM EVO5

Logger

Pinout



37 pins Deutsch male
connector pinout
external view



22 pins Deutsch male
connector pinout
external view

| Pin | Function |
|-----|-------------------|
| 1 | 9-15V Power input |
| 2 | Battery GND |
| 3 | CAN+Exp |
| 4 | GND |
| 5 | +Vbattery CAN |
| 6 | CAN- Exp. |
| 7 | +Vbext |
| 8 | CAN1+ ECU |
| 9 | CAN 1- ECU |
| 10 | GND |
| 11 | K Line ECU |
| 12 | USB D+ |
| 13 | USB D- |
| 14 | GND |
| 15 | RPM |
| 16 | GND |
| 17 | +VBattery |
| 18 | Optical Lap |
| 19 | Speed1 |
| 20 | GND |
| 21 | +Vbattery |
| 22 | Analog Input 1 |
| 23 | Analog GND |
| 24 | +Vbattery |
| 25 | +Vreference |
| 26 | Analog Input2 |
| 27 | Analog GND |
| 28 | +Vbattery |
| 29 | +Vreference |
| 30 | Analog Input3 |
| 31 | Analog GND |
| 32 | +Vbattery |
| 33 | +Vreference |
| 34 | Analog Input4 |
| 35 | Analog GND |
| 36 | +Vbattery |
| 37 | +Vreference |

| Pin | Function |
|-----|------------------|
| 1 | Analog Input 5 |
| 2 | Analog GND |
| 3 | +Vbattery |
| 4 | +Vreference |
| 5 | Analog Input 6 |
| 6 | Analog Input 7 |
| 7 | Analog GND |
| 8 | +Vbattery |
| 9 | +Vreference |
| 10 | Analog Input 8 |
| 11 | Speed 2 |
| 12 | GND |
| 13 | +Vbattery |
| 14 | Speed 3 |
| 15 | Speed 4 |
| 16 | GND |
| 17 | CAN2+ ECU |
| 18 | CAN2- ECU |
| 19 | Digital output 1 |
| 20 | Digital output 2 |
| 21 | RS232TX |
| 22 | RS232RX |