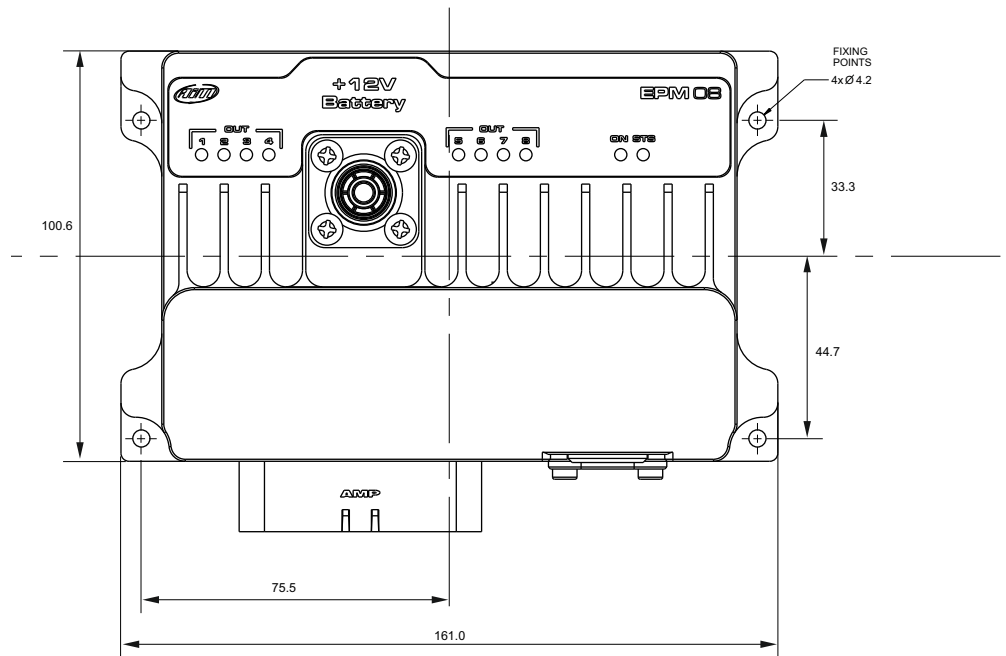
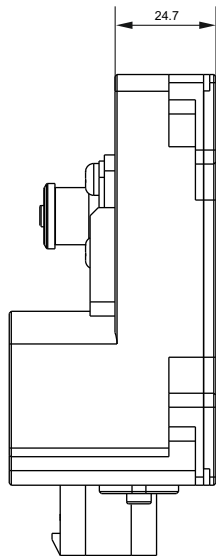
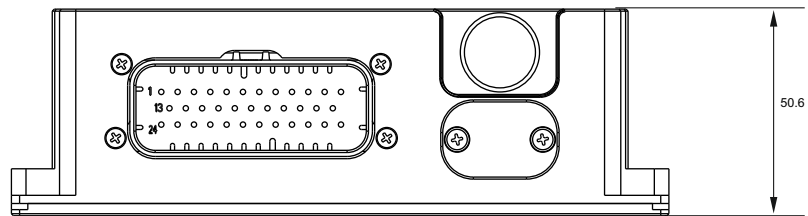




AiM EPM08

Expansion Power Module





AiM EPM08

Expansion Power Module

Technical specifications

LEDs	8 RGB LEDs + 1 EPM ON + 1 EPM STS (Status)
Inputs	6 fully configurable analog inputs (0-5V; 0-12V) recorded at max 500 Hz each Digital inputs pullup/pulldown
Power outputs	1 with serie diode rated up to 20 A (high side) 1 rated up to 25 A (high side) 6 rated up to 15 A (high side) Protected for: over voltage, under voltage, short circuit, over current, over temperature All outputs have internal freewheeling diode Total max current: 100 A
Connectors	1 AMP connector + 1 Amphenol Surlok connector
Body	Anodized Aluminum
Dimensions	161x100.6x50.6 mm
Weight	370 g
Waterproof	IP65

Part number

XC1EPM0801	EPM08
-------------------	-------

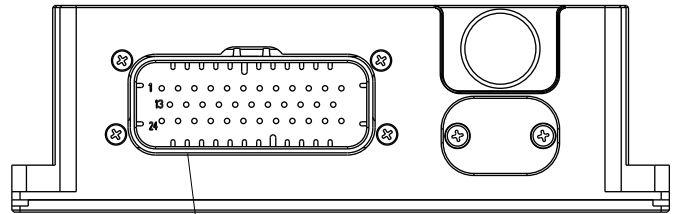
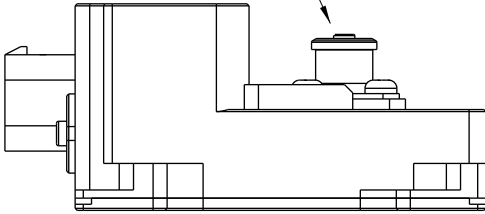


AiM EPM08

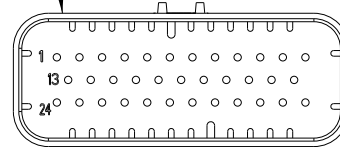
Expansion Power Module

Pinout

AMPHENOL SURLOK
PANEL MALE 120A CONNECTOR
+9-15Vdc (FROM BATTERY)



35 PIN AMP PANEL MALE
CONNECTOR
PINOUT EXT VIEW



PIN	DESCRIPTION	PIN	DESCRIPTION
1 ●	Power out 1	19	RESERVED
2	Power out 2	20	CH IN 3
3	CAN AIM H	21	CH IN 4
4	Power out 3	22	+5VREF
5	RESERVED	23 ●	Power out 8
6	Power out 4	24	LIN
7	Power out 5	25	IGN
8	CH IN 1	26	RESERVED
9	Power out 6	27	GND
10	CH IN 2	28	RESERVED
11	Power out 7	29	RESERVED
12 ●	Power out 8	30	CH IN 5
13 ●	Power out 1	31	+5VREF
14	RESERVED	32	+VB out
15	CAN AIM L	33	CH IN 6
16	RESERVED	34	GND
17	GND	35	GND
18	RESERVED		

- Rated up 25A
- Rated up 20A with internal series diode