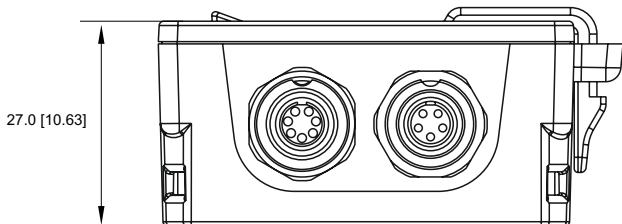
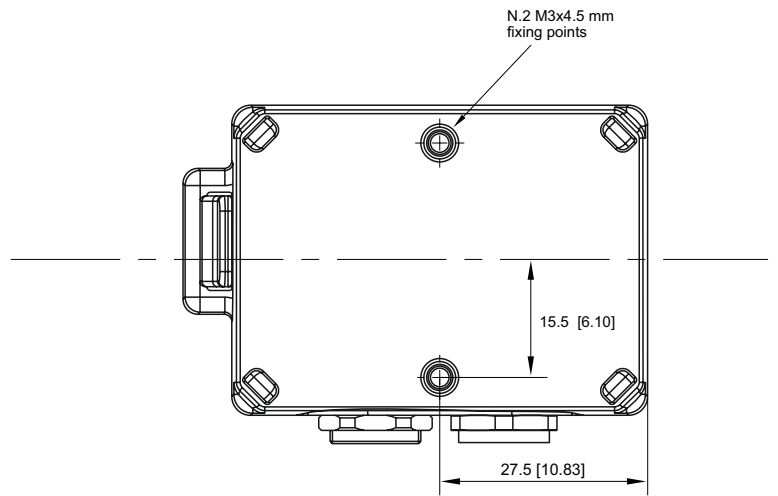
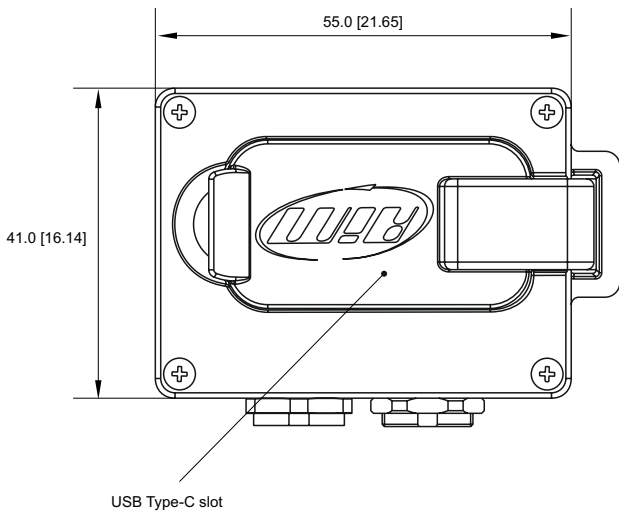




# ECULog

Logger



Dimensions in mm [inches]

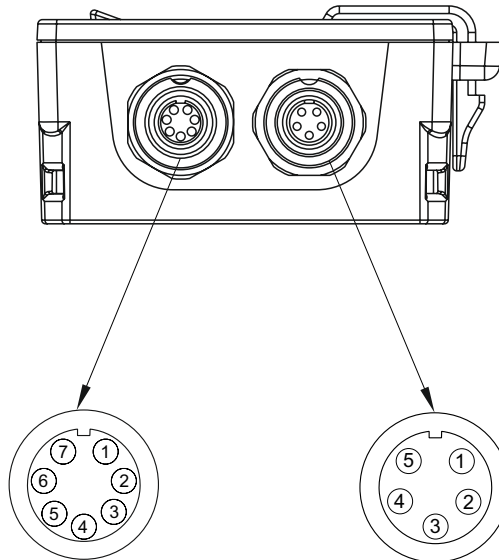


# ECULog Logger

## Technical specifications

<b>ECU connection</b>	CAN, RS232 or K-Line
<b>Expansions</b>	GPS09c/GPS09c Pro, ACC2, LCU1S, SmartyCam 3 Series
<b>External power</b>	9÷15 V
<b>Connectors</b>	1 socket (Binder) 712, 5 pins 1 socket (Binder) 712, 7 pins 1 USB Type-C
<b>Memory</b>	4 GB + removable USB-C memory card
<b>Material</b>	PA6 GS30%
<b>Dimensions</b>	61.4x44.7x27.2 mm
<b>Weight</b>	100 g approx.
<b>Waterproof</b>	IP67

## Pinout



7 pins Binder 712 female  
connector pinout  
external view





5 pins Binder 712 female  
connector pinout  
external view

ECU Connector	
1	CAN ECU+
2	CAN ECU-
3	+Vbext
4	ECU RS232TX
5	ECU RS232RX
6	K-Line
7	GND

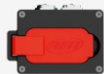



EXP Connector	
1	CAN+
2	GND
3	+Vbout
4	CAN-
5	+Vbext

### Available kits




#### Kit 1 ECULog CAN RS 200

Description	Part number	The kit contains			
KIT ECULog CAN RS 200	<b>X08ECULOGCRS200</b>	ECULog 	Mini USB Drive 16 Gb 	CAN/RS232/Ext. Power 2 m cable 	USB 2.0 A-Type C-Type 2 m cable 

#### Kit 2 ECULog OBD 200

Description	Part number	The kit contains			
KIT ECULog OBD 200	<b>X08ECULOGOBD200</b>	ECULog 	Mini USB Drive 16 Gb 	CAN/OBDII/K Line/ Ext. Power 2 m cable 	USB 2.0 A-Type C-Type 2 m cable 

### Optionals/Spare Parts

Description	Part number	
CAN/OBDII/K Line/ Ext. Power 2 m cable	<b>V02589040</b>	
CAN/RS232/Ext. Power 2 m cable	<b>V02589050</b>	
USB 2.0 A-Type C-Type 2 m cable	<b>X90TMPC101010</b>	
Mini USB Drive 16 GB	<b>3IRUSBD16GB</b>	