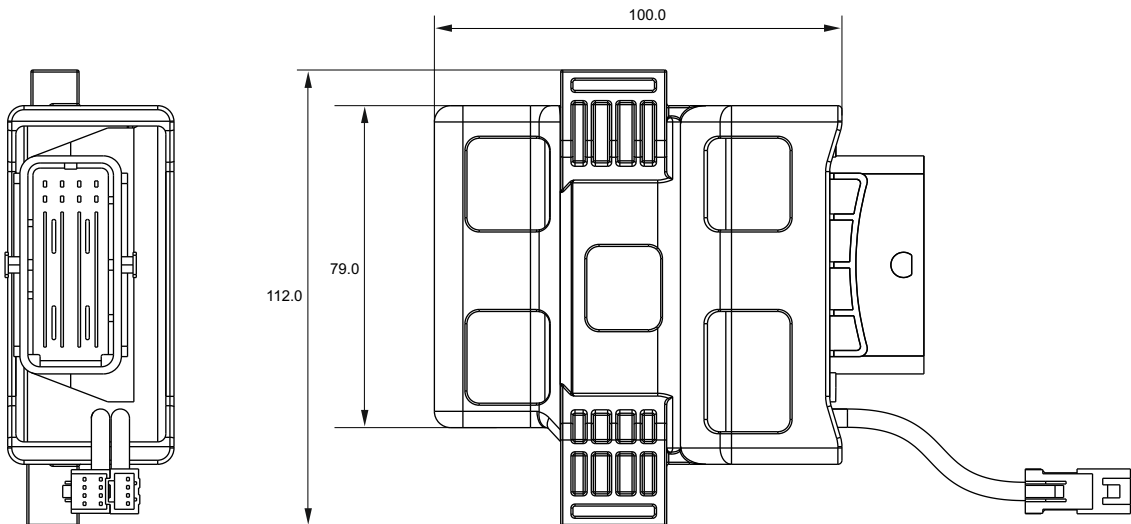
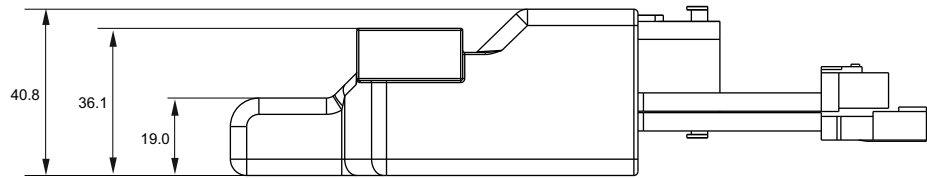




AiM ECU Taipan K & accessories

PLUG 'N PLAY ECU FOR MOTOCROSS








AiM ECU Taipan K & accessories

PLUG 'N PLAY ECU FOR MOTOCROSS

Technical specifications

Plug 'n play ECU for :

AiM ECU Taipan K Compatible models	Bike models			
	Brand	Type	Race	Year
	KTM	SX 250	Cross	2024
	HUSQVARNA	TC 250	Cross	2024
	GASGAS	MC 250	Cross	2024

Additional characteristics to the stock ECU:

- Two 0-5V analog inputs sampled @ 1,000 Hz each, could be alternatively used as switch to ground
- One low side driver (1A)
- 1 CAN bus for calibration purposes
- IMU
- Pitch/Roll
- Power consumption 150 mA
- Connectors: n.1 JST 04T-JWPF-VSLE-S connector
n.1 JST 08R-JWPF-VSLE-D connector
n.1 64 pins male connector
- Body: PA6 + 30% glass fiber + EPDM cover
- Dimensions: 112x100x40.8 mm
- Weight: 390 g approx
- Waterproof: IP67



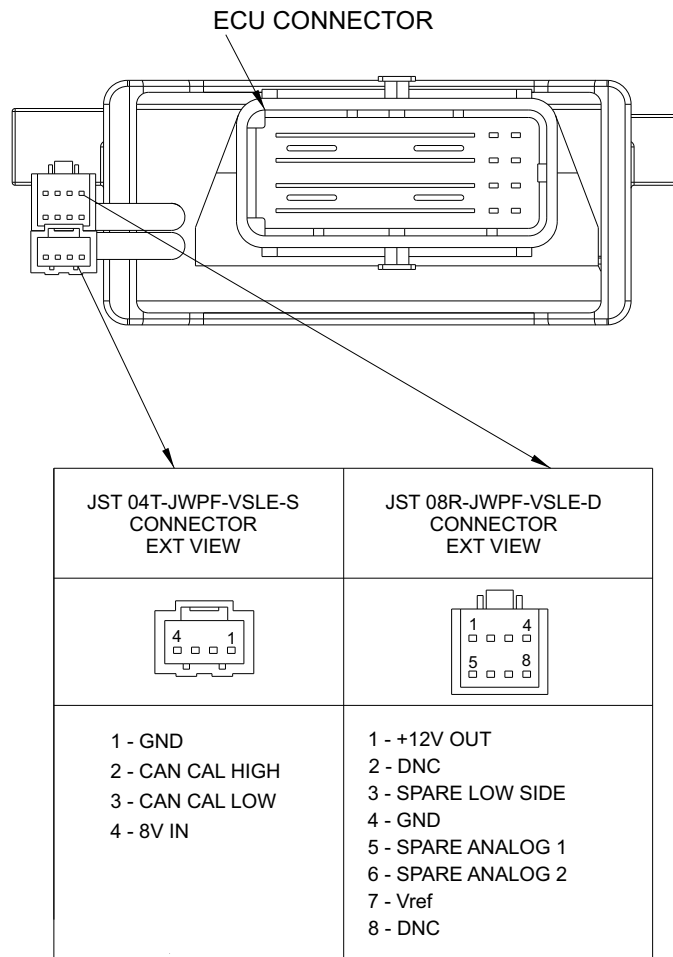
AiM ECU Taipan K & accessories

PLUG 'N PLAY ECU FOR MOTOCROSS

Part numbers (ECU Taipan K & accessories)

XE1ECUTK0	ECU Taipan K
V02596160	Power cable for AiM Handle Bar Switch and AiM data logger connection
XE1HBS000	Handle Bar Switch (cable V2596160 is necessary)
XE1UCB000	UC Bridge
XE1UCBT00	UC Bridge Tuner

Pinout

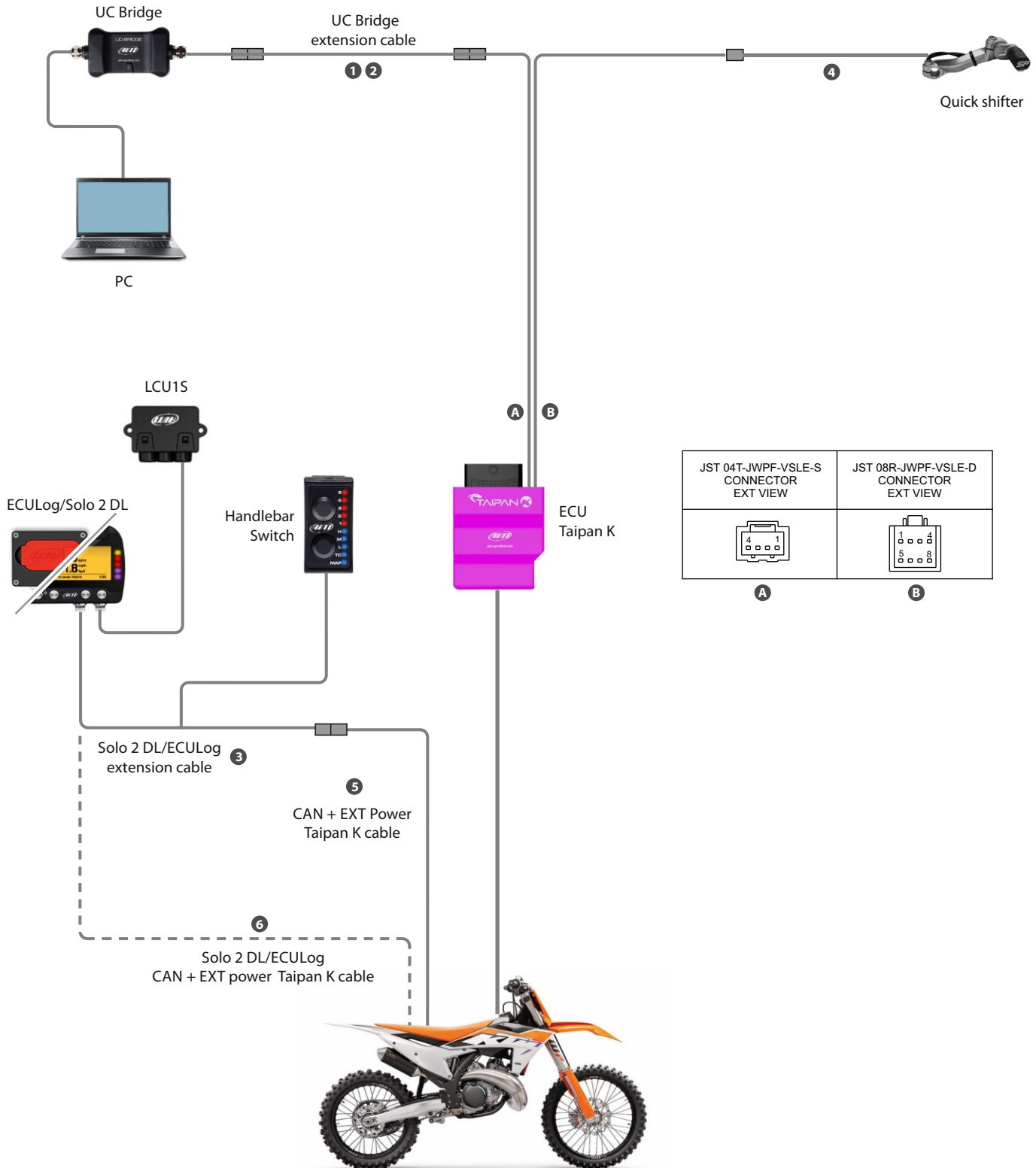




AiM ECU Taipan K & accessories

PLUG 'N PLAY ECU FOR MOTOCROSS

Functional diagram





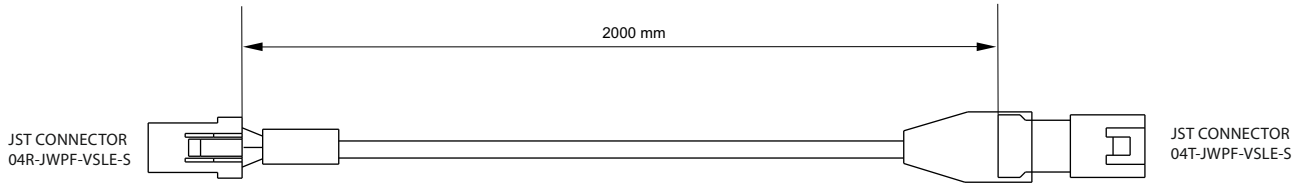
AiM ECU Taipan K & accessories

PLUG 'N PLAY ECU FOR MOTOCROSS

Optional cables

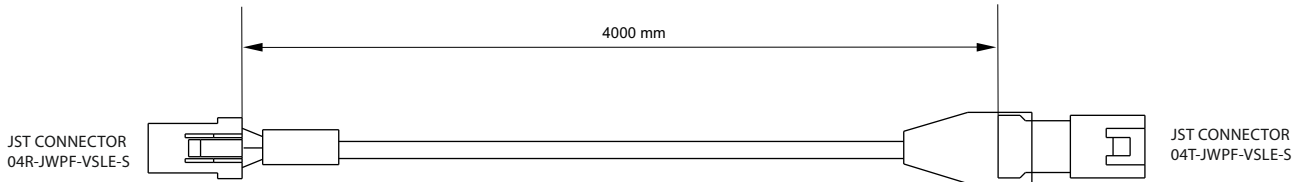
1 UC Bridge extension cable 2 m

Part number V02596020



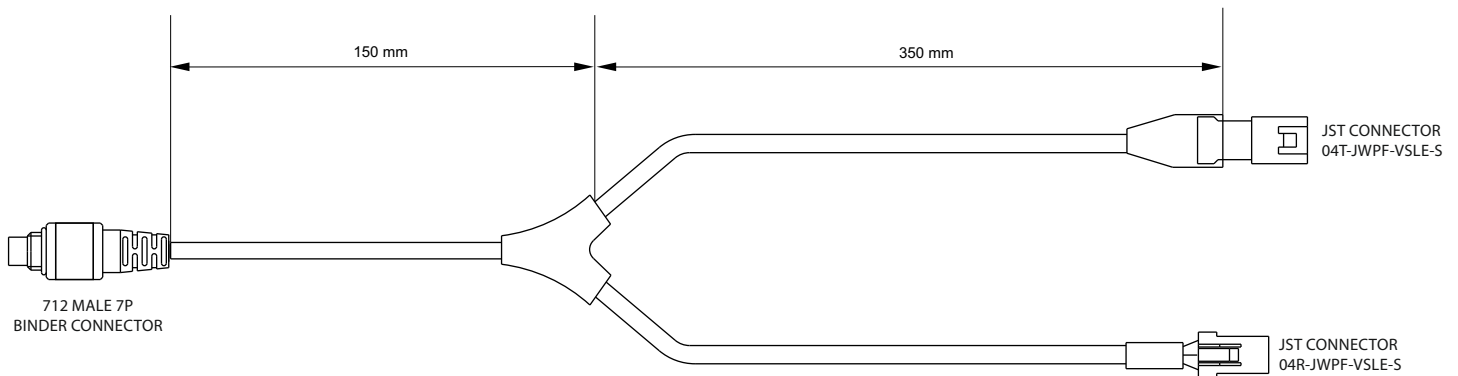
2 UC Bridge extension cable 4 m

Part number V02596030



3 Solo 2 DL/ECUlog extension cable 50 cm

Part number V02589120





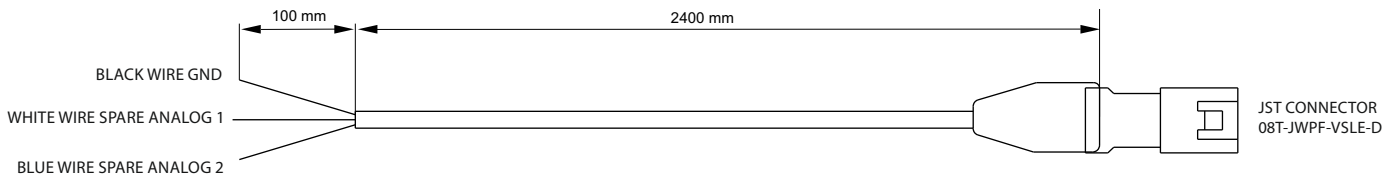
AiM ECU Taipan K & accessories

PLUG 'N PLAY ECU FOR MOTOCROSS

Optional cables

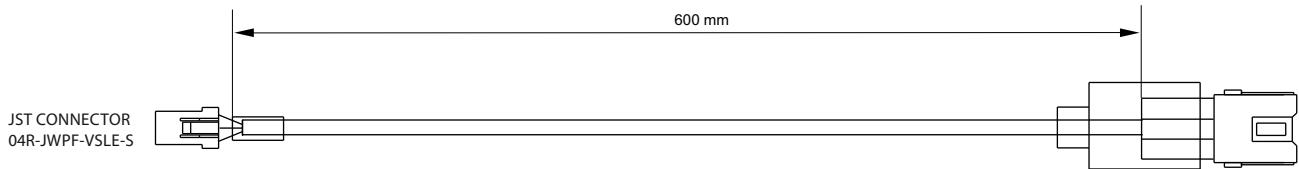
4 Analog channels harness

Part number V02596070



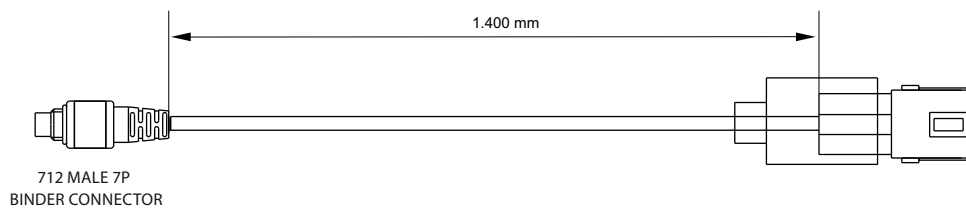
5 CAN + EXT Power Taipan K cable

Part number V02596160



6 Solo 2 DL/ECUlog CAN + EXT power Taipan K cable

Part number V02589180



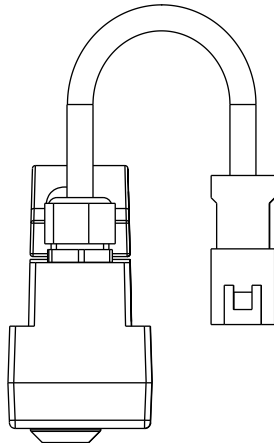
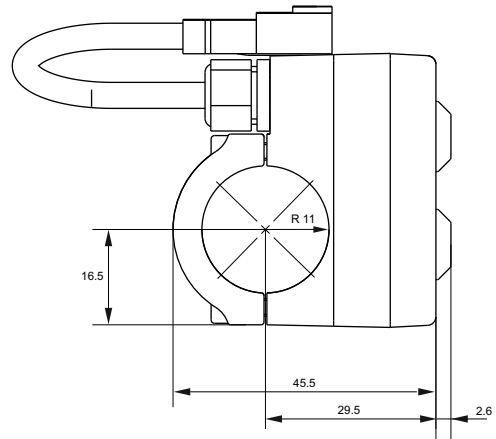
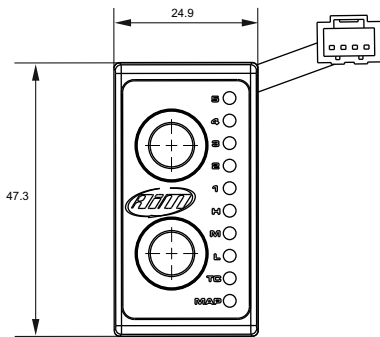


AiM ECU Taipan K & accessories

PLUG 'N PLAY ECU FOR MOTOCROSS

Accessories:

Handlebar Switch





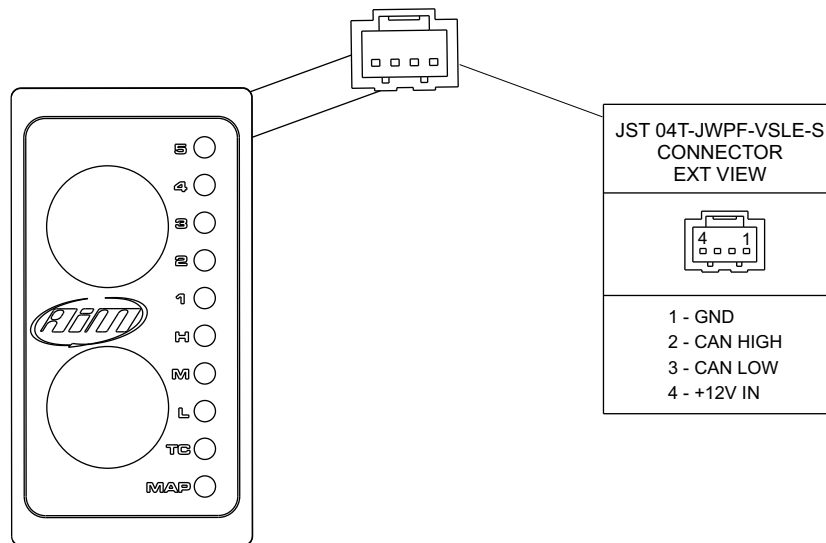
AiM ECU Taipan K & accessories

PLUG 'N PLAY ECU FOR MOTOCROSS

Accessories:

Handlebar Switch technical specifications and pinout

- JST waterproof connector for CAN Bus communication
- Connector: n.1 JST 04T-JWPF-VSLE-S Connector
- Body: PA6 + 30% glass fiber
- Dimensions: 47.3x24.9x48.1 mm
- Waterproof: IP67
- Weight: 70 g





AiM ECU Taipan K & accessories

PLUG 'N PLAY ECU FOR MOTOCROSS

Accessories:

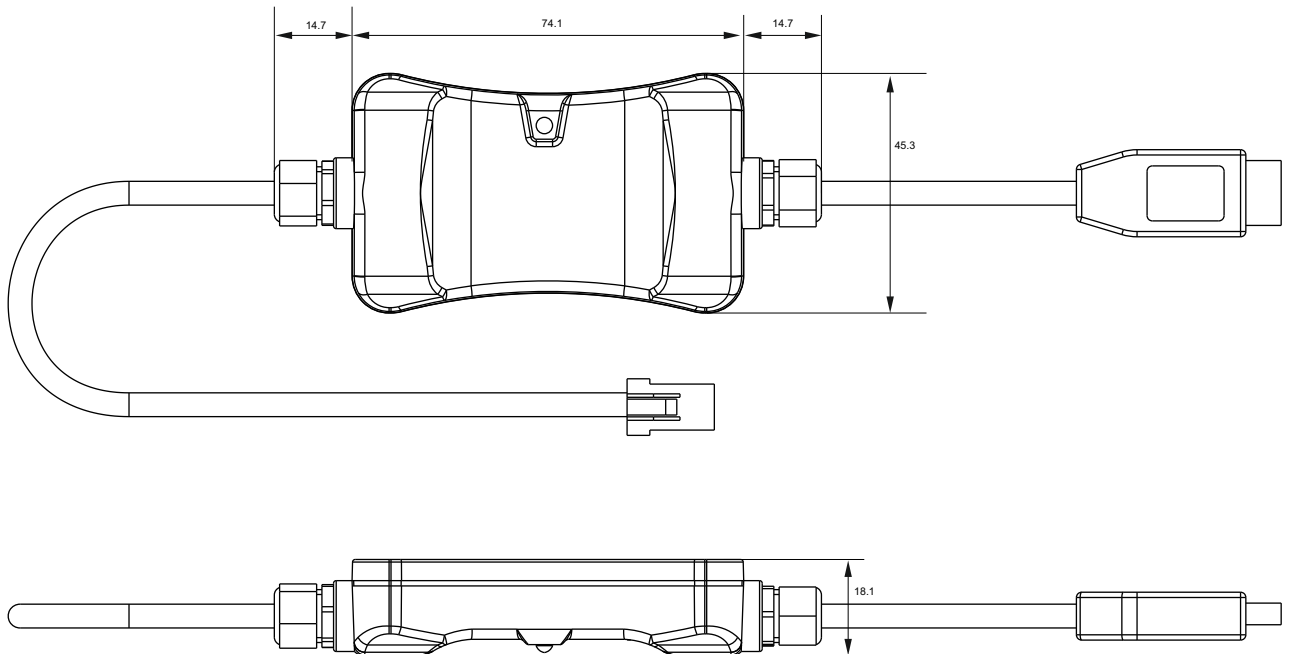
UC Bridge



User license



Tuner license





AiM ECU Taipan K & accessories

PLUG 'N PLAY ECU FOR MOTOCROSS

Accessories:

UC Bridge technical specifications and pinout

- Connectors: n.1 USB connection for PC
n.1 JST 04R-JWPF-VSLE-S waterproof Connector for CAN Bus communication
- Body: PA6 + 30% glass fiber
- Dimensions: 103.5x45.3x18.1 mm
- Waterproof: IP65
- Weight: 80 g

