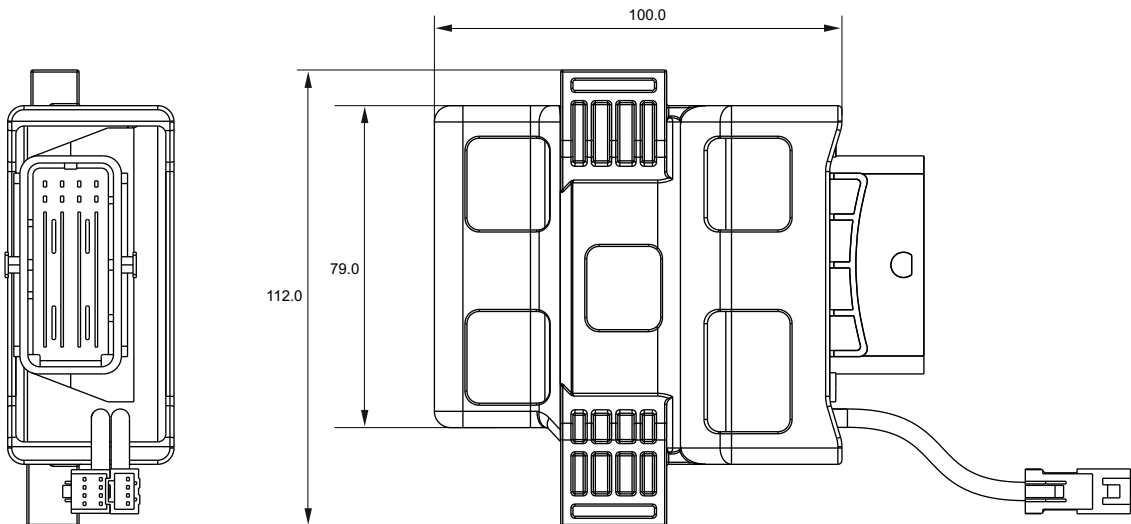
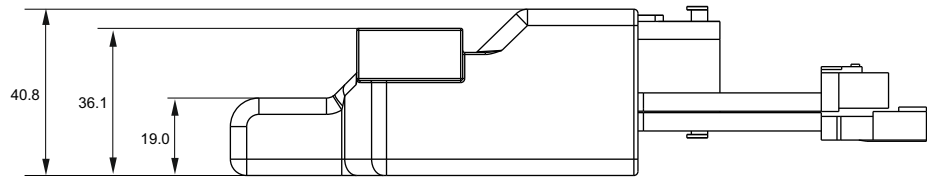




AiM ECU Taipan K & accessories

PLUG 'N PLAY ECU FOR MOTOCROSS








AiM ECU Taipan K & accessories

PLUG 'N PLAY ECU FOR MOTOCROSS

Technical specifications

Plug 'n play ECU for :

AiM ECU Taipan K Compatible models	Bike models			
	Brand	Type	Race	Year
	KTM	SX 250	Cross	2024
	HUSQVARNA	TC 250	Cross	2024
	GASGAS	MC 250	Cross	2024

Additional characteristics to the stock ECU:

- Two 0-5V analog inputs sampled @ 1,000 Hz each, could be alternatively used as switch to ground
- One low side driver (1A)
- 1 CAN bus for calibration purposes
- IMU
- Pitch/Roll
- Power consumption 150 mA
- Connectors: n.1 JST 04T-JWPF-VSLE-S connector
n.1 JST 08R-JWPF-VSLE-D connector
n.1 64 pins male connector
- Body: PA6 + 30% glass fiber + EPDM cover
- Dimensions: 112x100x40.8 mm
- Weight: 390 g approx
- Waterproof: IP67



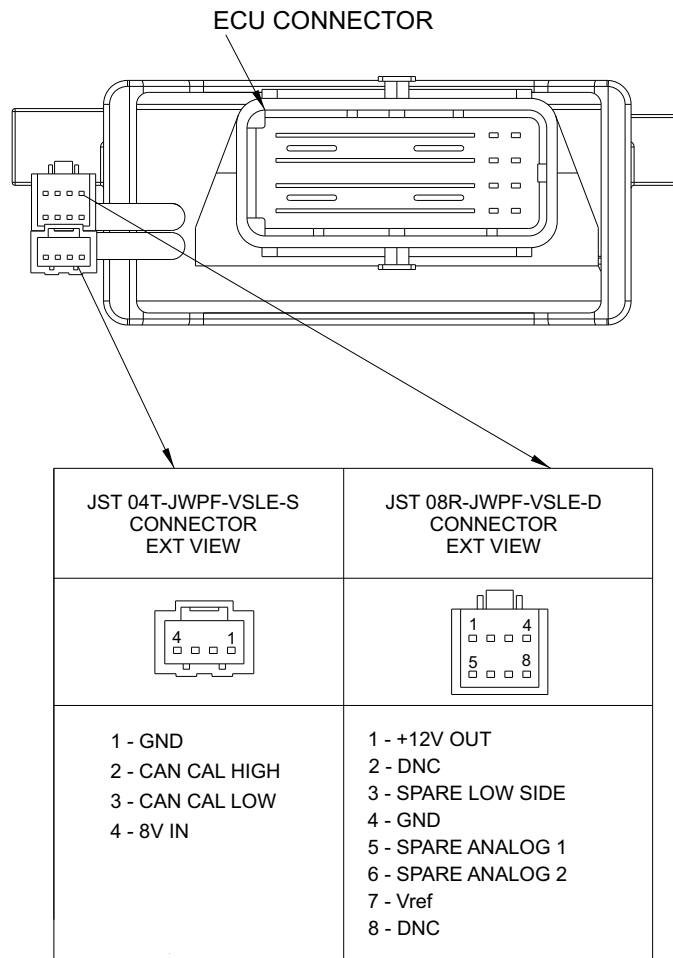
AiM ECU Taipan K & accessories

PLUG 'N PLAY ECU FOR MOTOCROSS

Part numbers

XE1ECUTK0	Taipan K
XE1HBS000	Handle Bar Switch
XE1UCB000	UC Bridge
XE1UCBT00	UC Bridge Tuner

Pinout

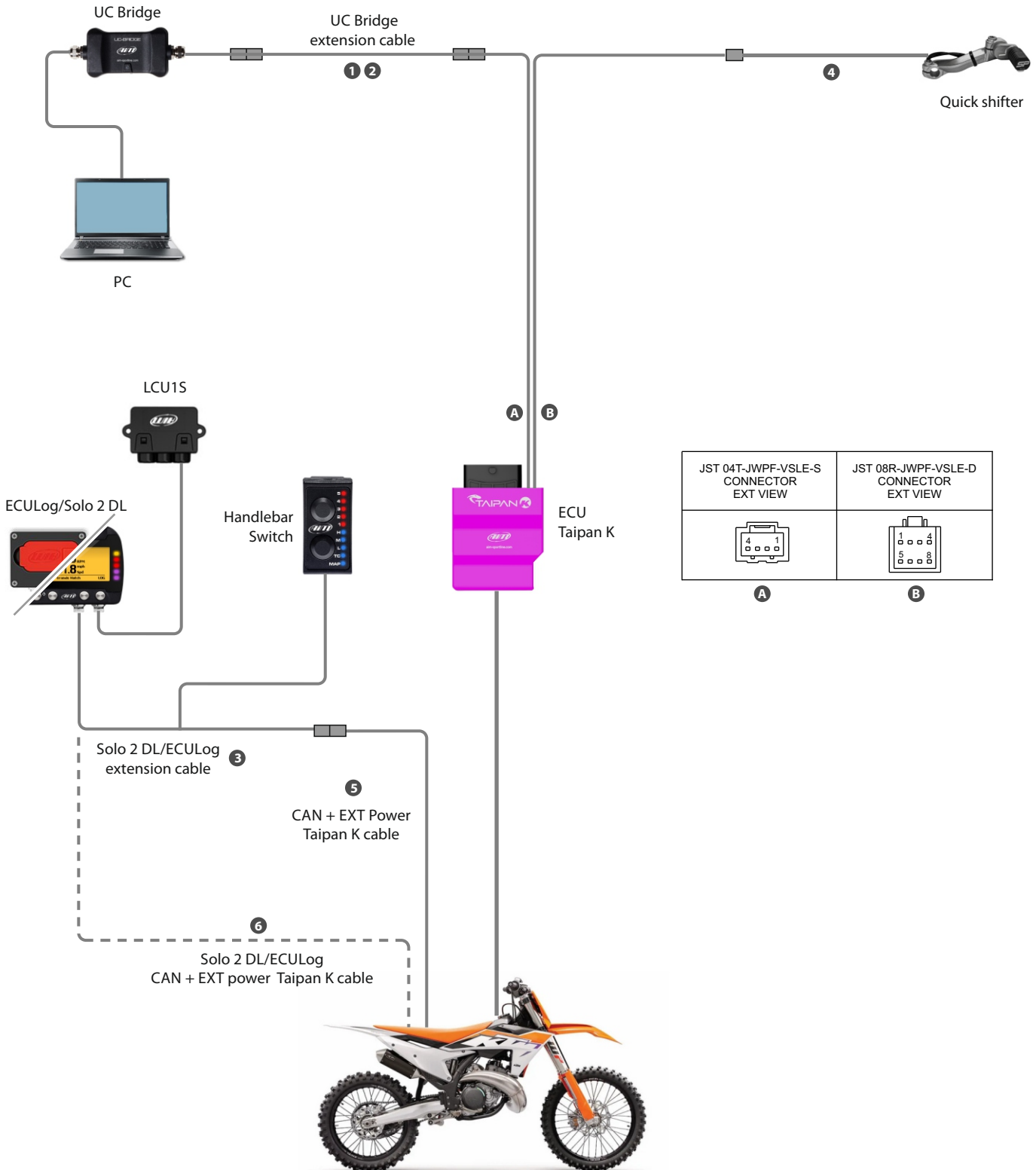




AiM ECU Taipan K & accessories

PLUG 'N PLAY ECU FOR MOTOCROSS

Functional diagram





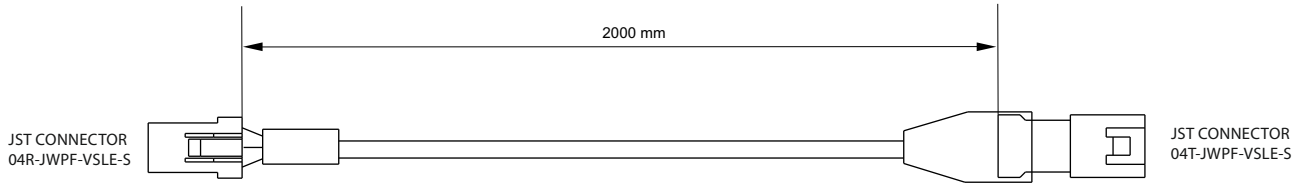
AiM ECU Taipan K & accessories

PLUG 'N PLAY ECU FOR MOTOCROSS

Optional cables

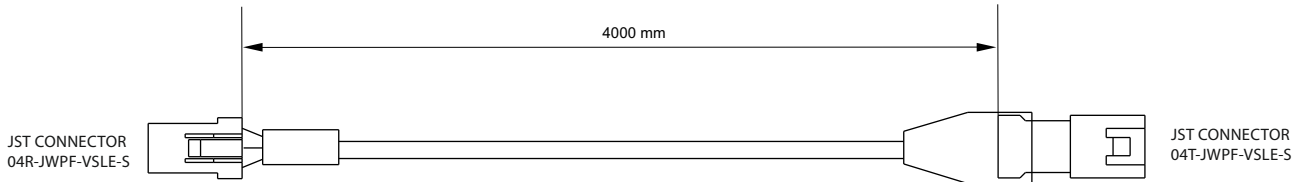
1 UC Bridge extension cable 2 m

Part number V02596020



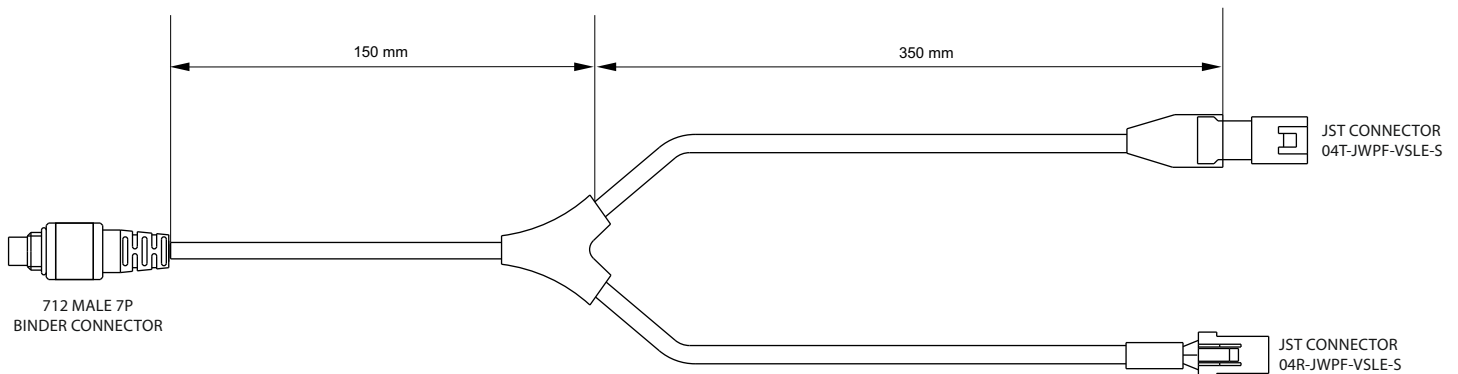
2 UC Bridge extension cable 4 m

Part number V02596030



3 Solo 2 DL/ECUlog extension cable 50 cm

Part number V02589120





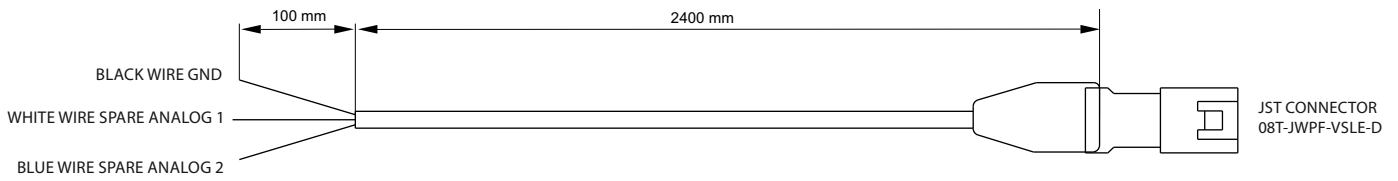
AiM ECU Taipan K & accessories

PLUG 'N PLAY ECU FOR MOTOCROSS

Optional cables

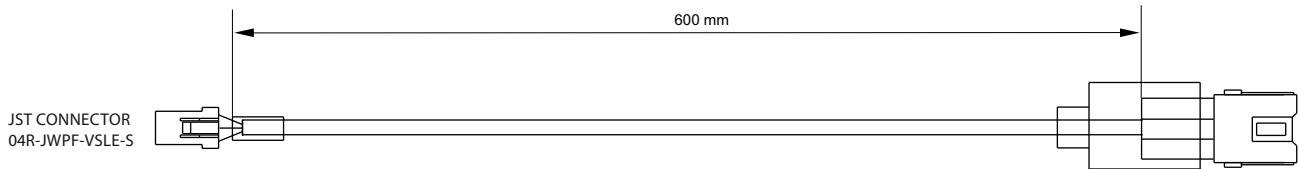
4 Analog channels harness

Part number V02596070



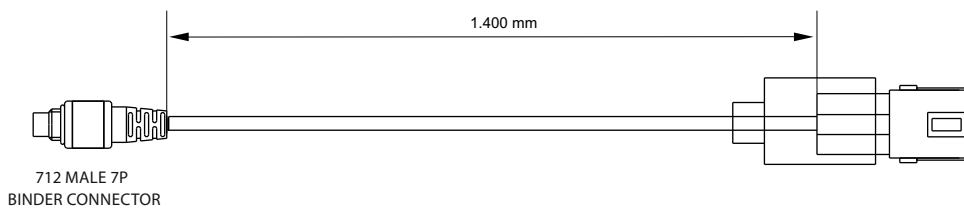
5 CAN + EXT Power Taipan K cable

Part number V02596160



6 Solo 2 DL/ECUlog CAN + EXT power Taipan K cable

Part number V02589180



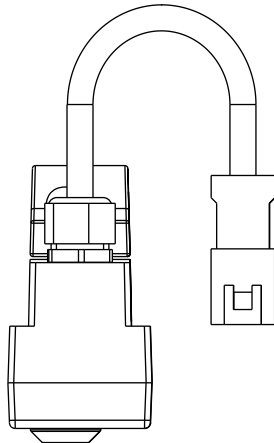
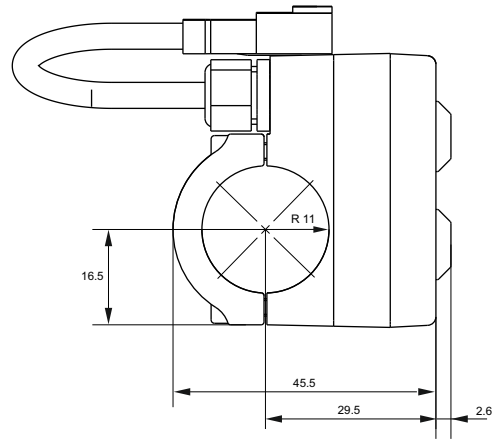
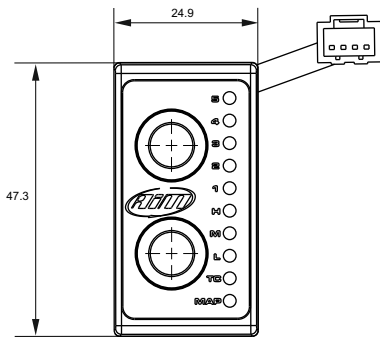


AiM ECU Taipan K & accessories

PLUG 'N PLAY ECU FOR MOTOCROSS

Accessories:

Handlebar Switch





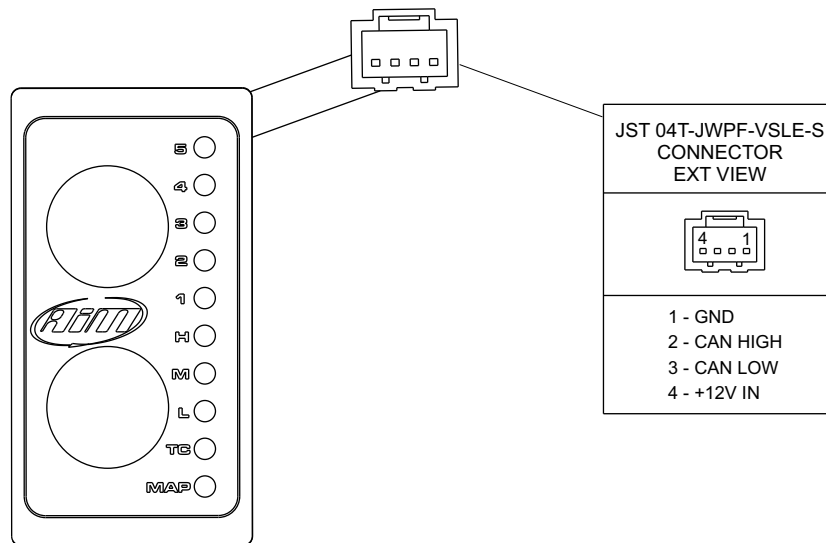
AiM ECU Taipan K & accessories

PLUG 'N PLAY ECU FOR MOTOCROSS

Accessories:

Handlebar Switch technical specifications and pinout

- JST waterproof connector for CAN Bus communication
- Connector: n.1 JST 04T-JWPF-VSLE-S Connector
- Body: PA6 + 30% glass fiber
- Dimensions: 47.3x24.9x48.1 mm
- Waterproof: IP67
- Weight: 70 g





AiM ECU Taipan K & accessories

PLUG 'N PLAY ECU FOR MOTOCROSS

Accessories:

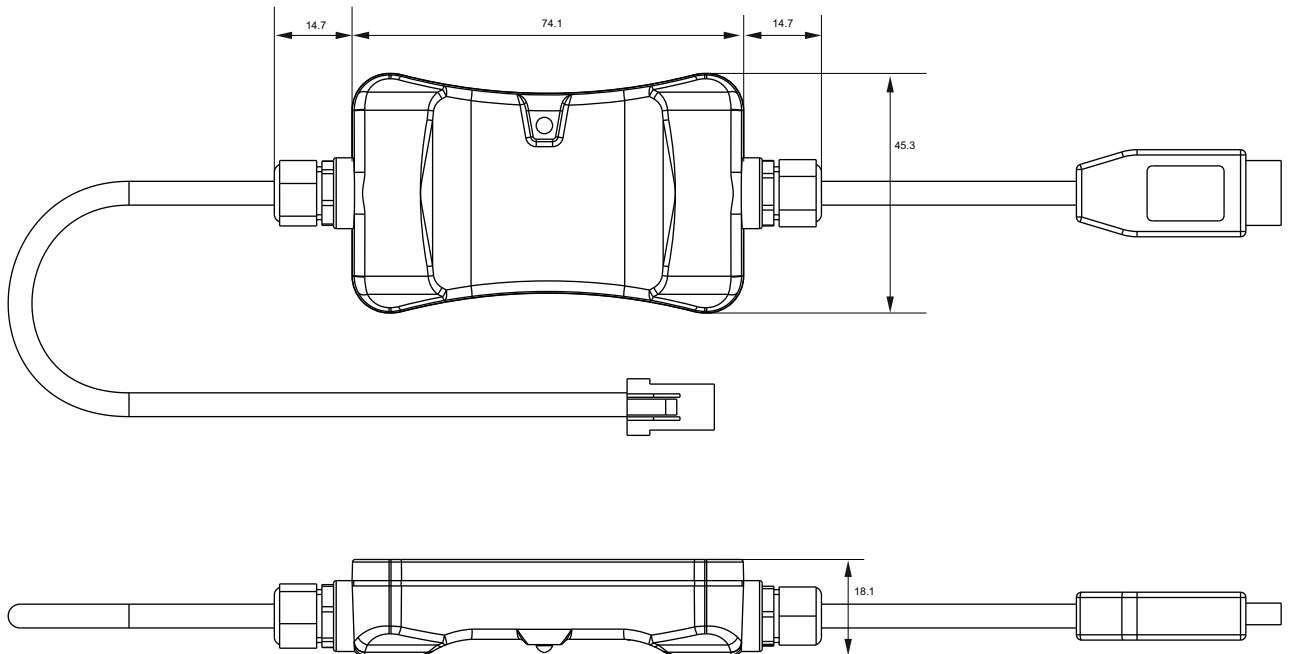
UC Bridge



User license



Tuner license





AiM ECU Taipan K & accessories

PLUG 'N PLAY ECU FOR MOTOCROSS

Accessories:

UC Bridge technical specifications and pinout

- Connectors: n.1 USB connection for PC
n.1 JST 04R-JWPF-VSLE-S waterproof Connector for CAN Bus communication
- Body: PA6 + 30% glass fiber
- Dimensions: 103.5x45.3x18.1 mm
- Waterproof: IP65
- Weight: 80 g

