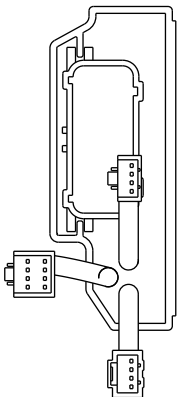
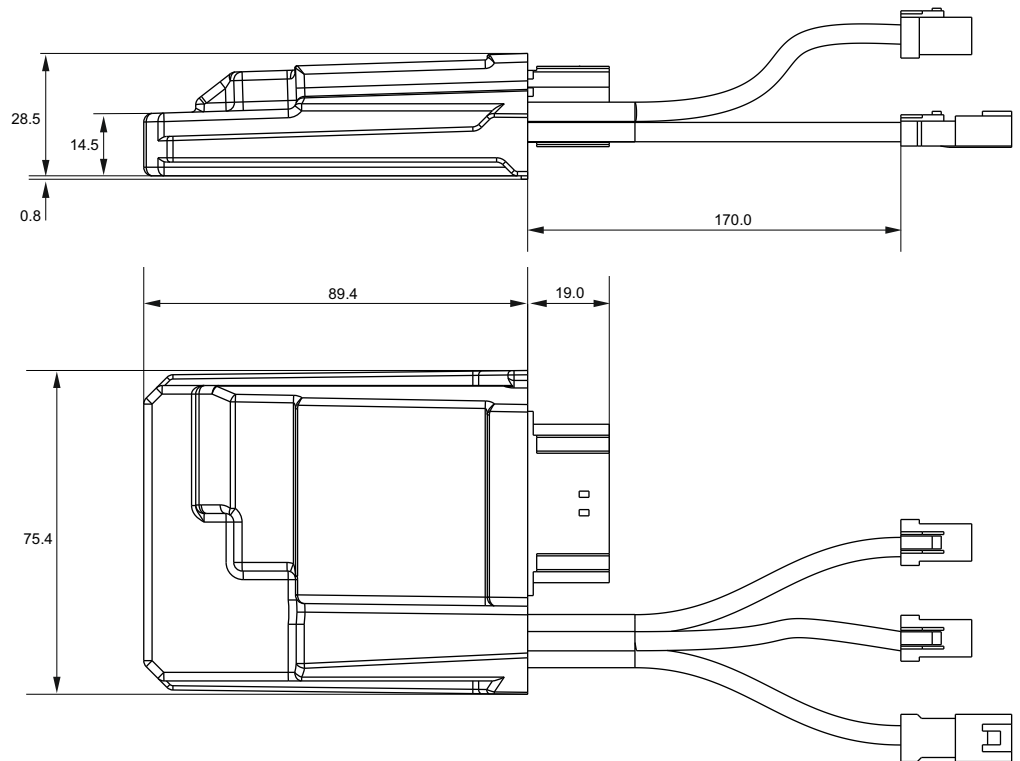




AiM ECU Taipan & accessories

PLUG 'N PLAY ECU FOR MOTOCROSS







AiM ECU Taipan & accessories

PLUG 'N PLAY ECU FOR MOTOCROSS

Technical specifications

Plug 'n play ECU for :

AiM ECU Taipan Compatible models	Bikes				
	Brand	Type	Race	From Year	To Year
	GASGAS	MC 250F	Cross	2021	2024
		MC 450F	Cross	2021	2024
		EC 250F	Enduro	2021	2023
		EC 350F	Enduro	2021	2023
	HONDA	CRF 250R	Cross	2019	2024
		CRF 450R	Cross	2019	2025
		CRF 450L	Enduro	2021	2023
		CRF 450X	Enduro	2021	2023
	HUSQVARNA	FC 250	Cross	2019	2024
		FC 350	Cross	2019	2024
		FC 450	Cross	2019	2024
		FE 250	Enduro	2020	2023
		FE 350	Enduro	2020	2023
		FE 450	Enduro	2020	2023
		FE 501	Enduro	2020	2023
		FS 450	Supermoto	2019	2024
	KAWASAKI	KX 250	Cross	2022	2023
		KX 450	Cross	2019	2023
	KTM	SX-F 250	Cross	2019	2024
		SX-F 350	Cross	2019	2024
		SX-F 450	Cross	2019	2024
		EXC-F 250	Enduro	2020	2023
		EXC-F 350	Enduro	2020	2023
		EXC-F 450	Enduro	2020	2023
		EXC-F 500	Enduro	2020	2023
		SMR 450	Supermoto	2019	2024



AiM ECU Taipan & accessories

PLUG 'N PLAY ECU FOR MOTOCROSS

Technical specifications

Additional characteristics to the stock ECU:

- Two 0-5V analog inputs sampled @ 1,000 Hz each, could be alternatively used as switch to ground
- Second injector driver for high impedance saturated injectors (12Ω)
- One low side driver (1A)
- Two CAN bus, one for calibration purposes, one for expansions (AiM handlebar switch, dataloggers, dash ecc.)
- Three JST JWPF waterproof auxiliary connector
- Power consumption 150 mA

- Connectors: n.1 JST 04T-JWPF-VSLE-S Connector
n.1 JST 08R-JWPF-VSLE-D Connector
n.1 JST 04R-JWPF-VSLE-S Connector
n.1 33 pin male Connector

- Body: PA6 + 30% glass fiber
- Dimensions: 89.4x75.4x29.3 mm
- Waterproof: IP67
- Weight: 260 g



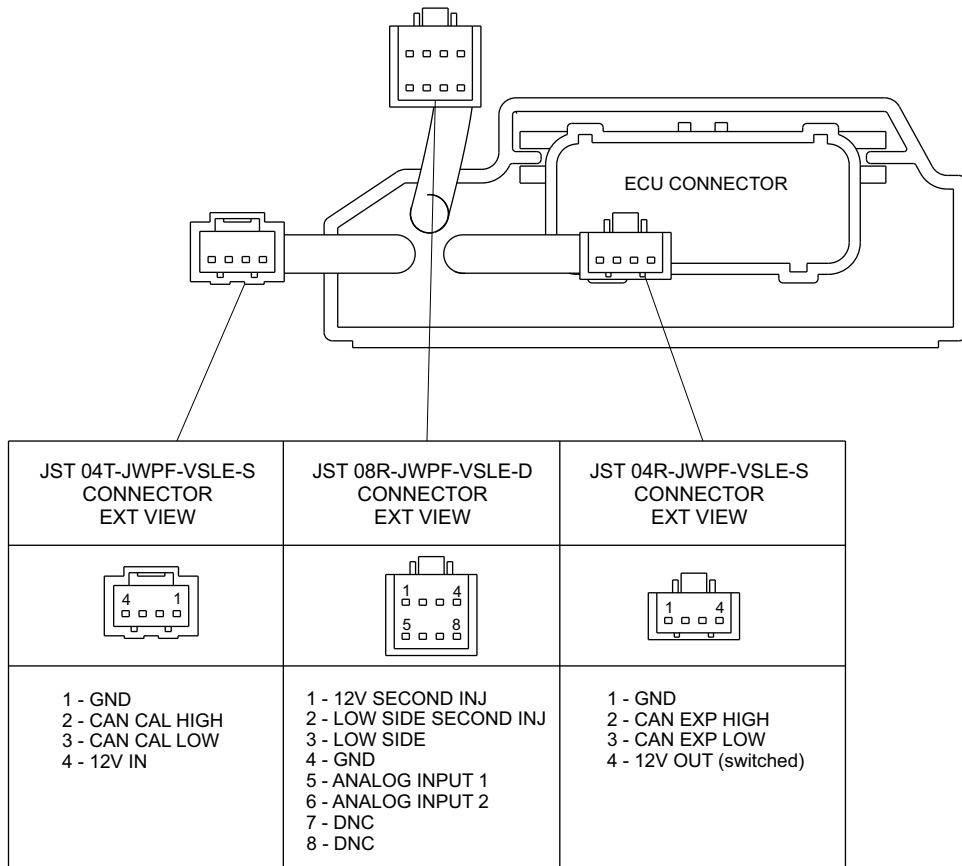
AiM ECU Taipan & accessories

PLUG 'N PLAY ECU FOR MOTOCROSS

Part numbers (ECU Taipan & accessories)

XE1ECUCB0	ECU Taipan
XE1HBS000	Handle Bar Switch
XE1UCB000	UC Bridge
XE1UCBT00	UC Bridge Tuner
XE1ECUHBS00	Kit ECU Taipan + Handle Bar Switch
XE1ECUHBSUCB0	Kit ECU Taipan + Handle Bar Switch + UC Bridge

Pinout

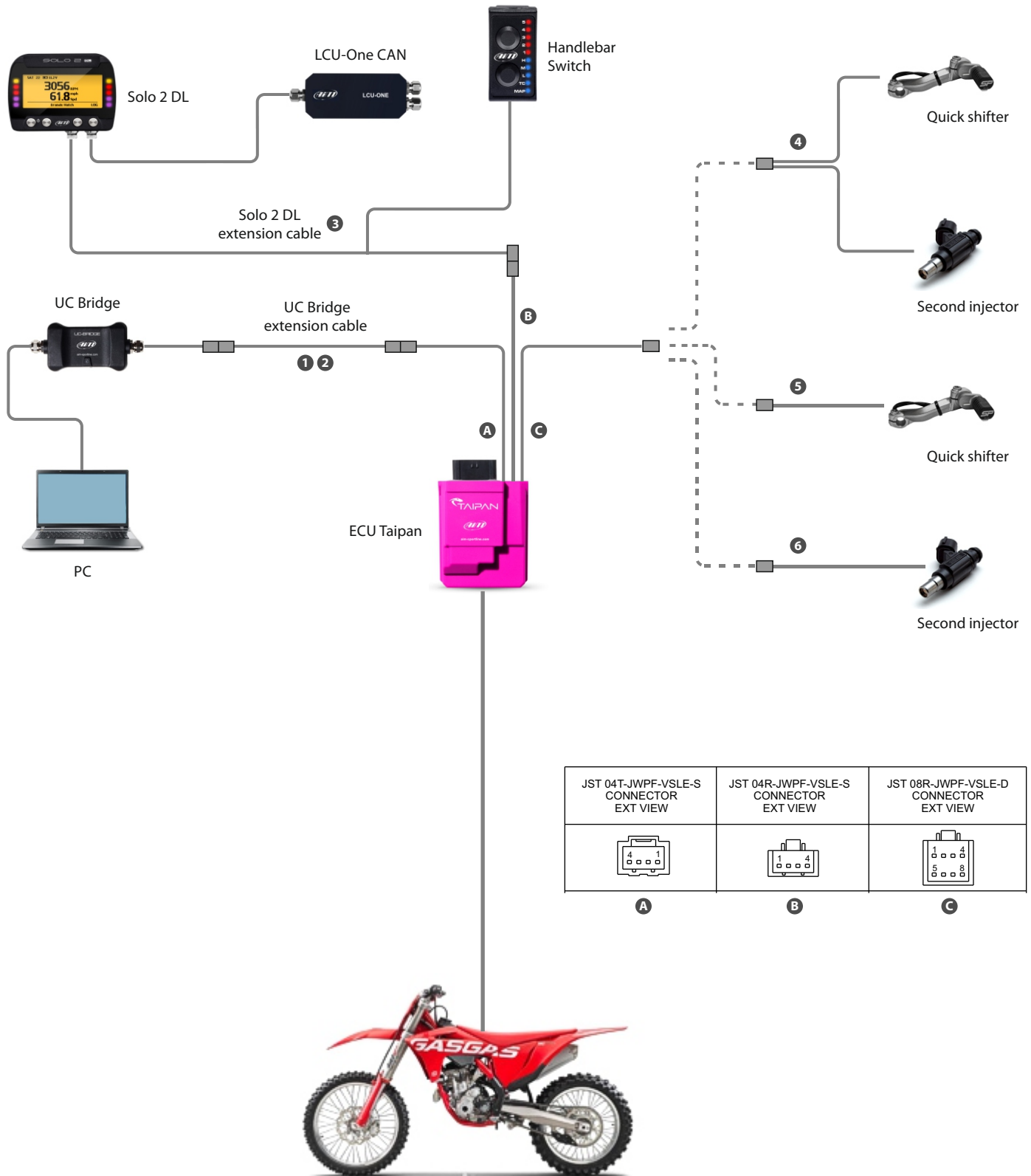




AiM ECU Taipan & accessories

PLUG 'N PLAY ECU FOR MOTOCROSS

Functional diagram



JST 04T-JWPF-VSLE-S CONNECTOR EXT VIEW	JST 04R-JWPF-VSLE-S CONNECTOR EXT VIEW	JST 08R-JWPF-VSLE-D CONNECTOR EXT VIEW
A	B	C



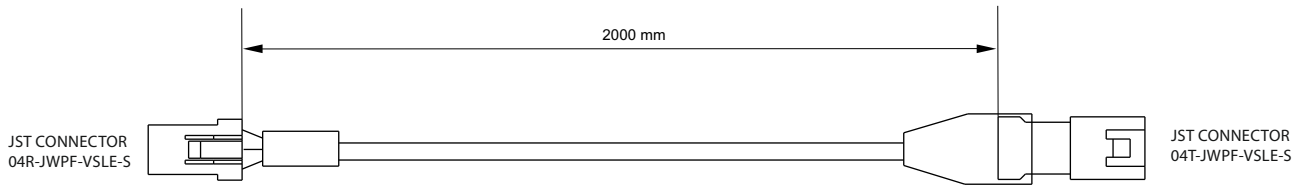
AiM ECU Taipan & accessories

PLUG 'N PLAY ECU FOR MOTOCROSS

Optional cables

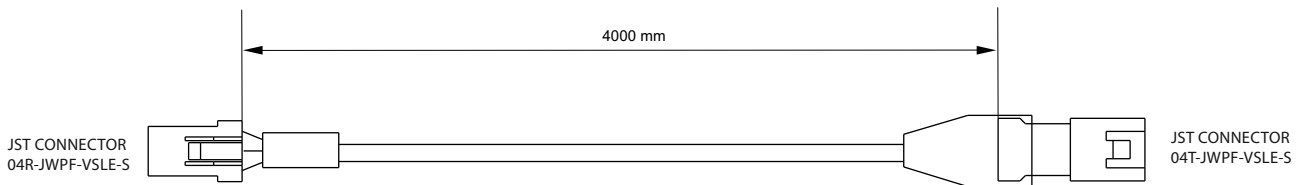
1 UC Bridge extension cable 2 m

Part number V02596020



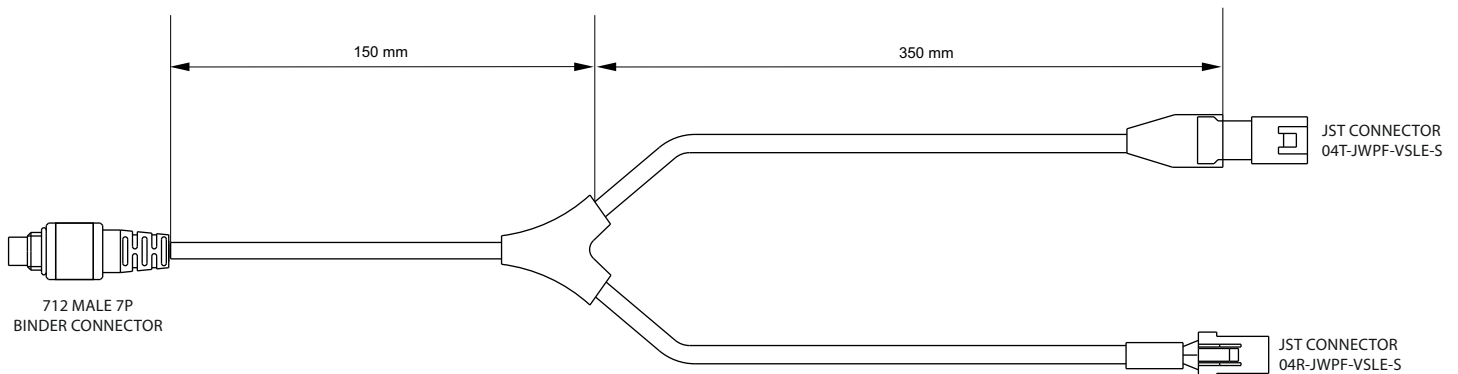
2 UC Bridge extension cable 4 m

Part number V02596030



3 Solo 2 DL extension cable 50 cm

Part number V02589120





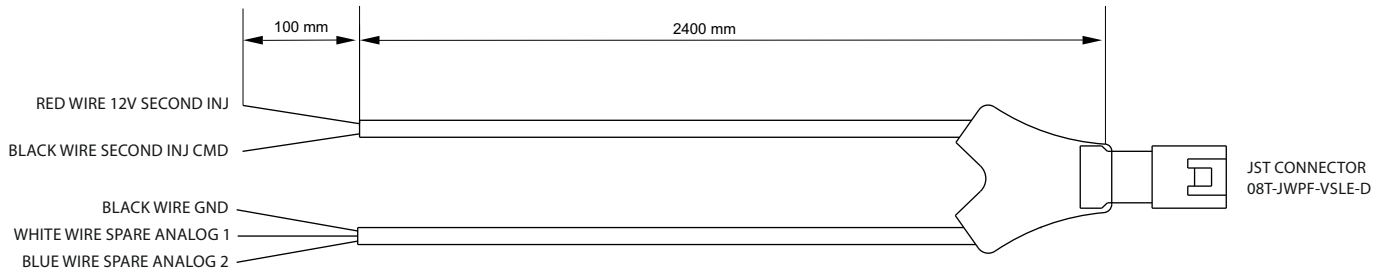
AiM ECU Taipan & accessories

PLUG 'N PLAY ECU FOR MOTOCROSS

Optional cables

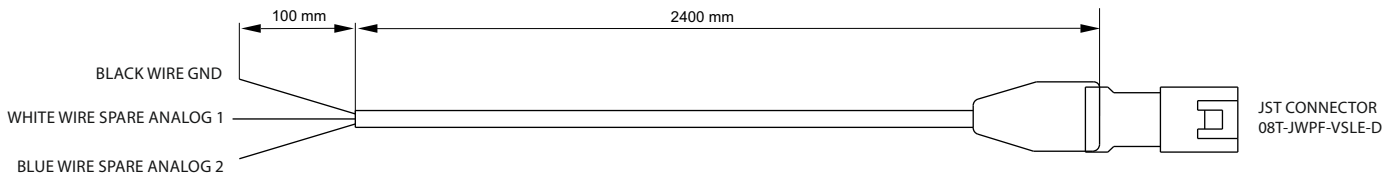
4 Analog channels and second injection harness

Part number V02596060



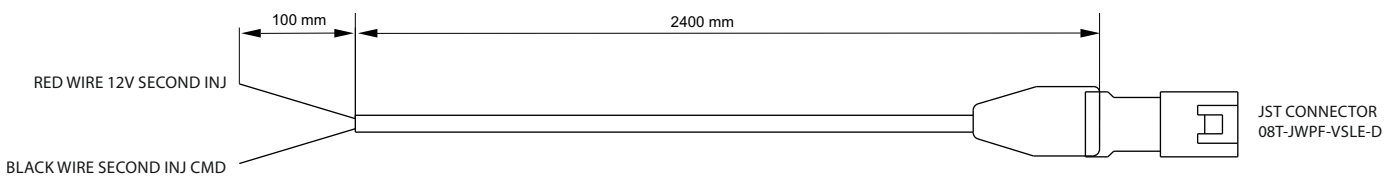
5 Analog channels harness

Part number V02596070



6 Second injection harness

Part number V02596080



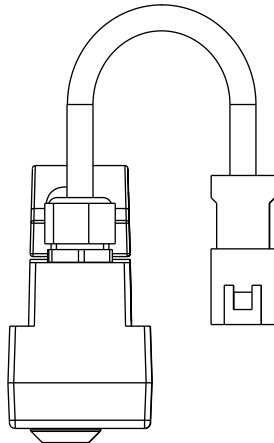
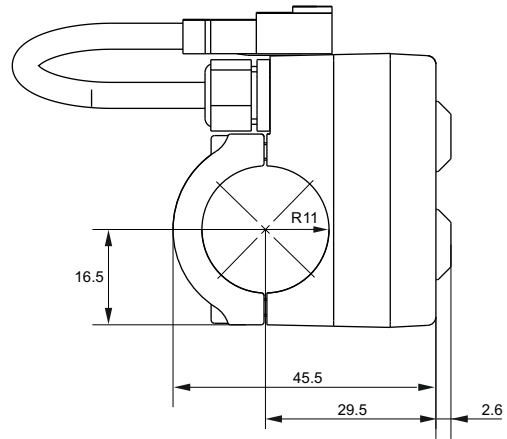
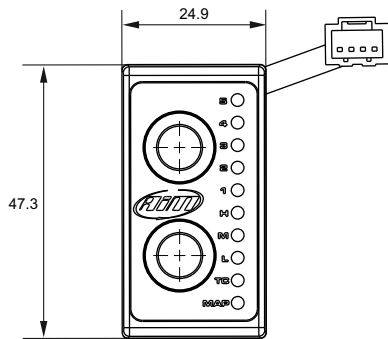


AiM ECU Taipan & accessories

PLUG 'N PLAY ECU FOR MOTOCROSS

Accessories:

Handlebar Switch





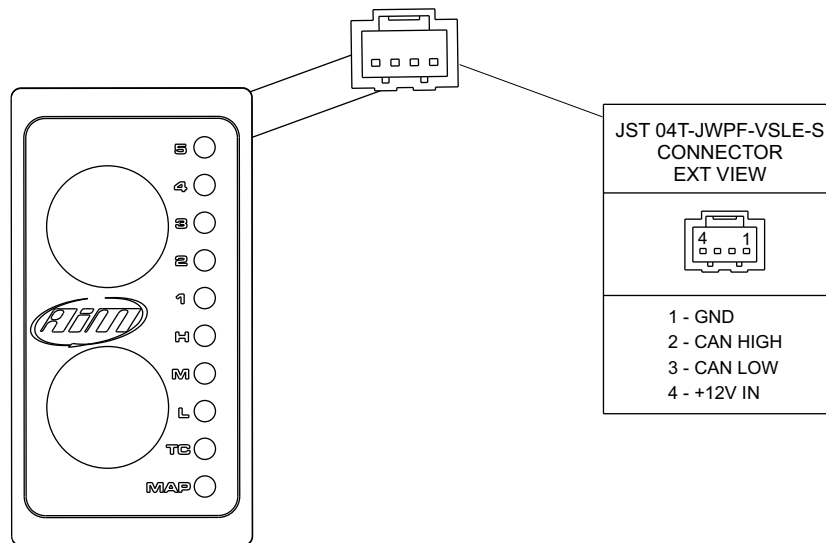
AiM ECU Taipan & accessories

PLUG 'N PLAY ECU FOR MOTOCROSS

Accessories:

Handlebar Switch technical specifications and pinout

- JST waterproof connector for CAN Bus communication
- Connector: n.1 JST 04T-JWPF-VSLE-S Connector
- Body: PA6 + 30% glass fiber
- Dimensions: 47.3x24.9x48.1 mm
- Waterproof: IP67
- Weight: 70 g





AiM ECU Taipan & accessories

PLUG 'N PLAY ECU FOR MOTOCROSS

Accessories:

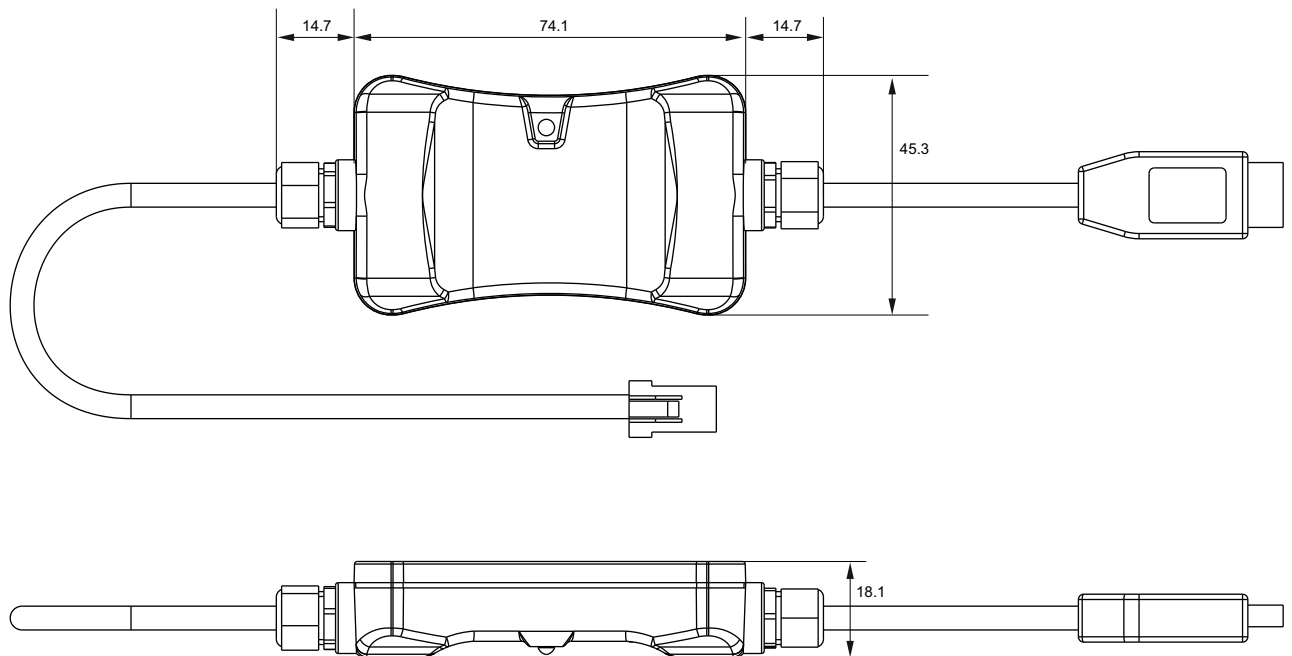
UC Bridge



User license



Tuner license





AiM ECU Taipan & accessories

PLUG 'N PLAY ECU FOR MOTOCROSS

Accessories:

UC Bridge technical specifications and pinout

- Connectors: n.1 USB connection for PC
n.1 JST 04R-JWPF-VSLE-S waterproof Connector for CAN Bus communication
- Body: PA6 + 30% glass fiber
- Dimensions: 103.5x45.3x18.1 mm
- Waterproof: IP65
- Weight: 80 g

