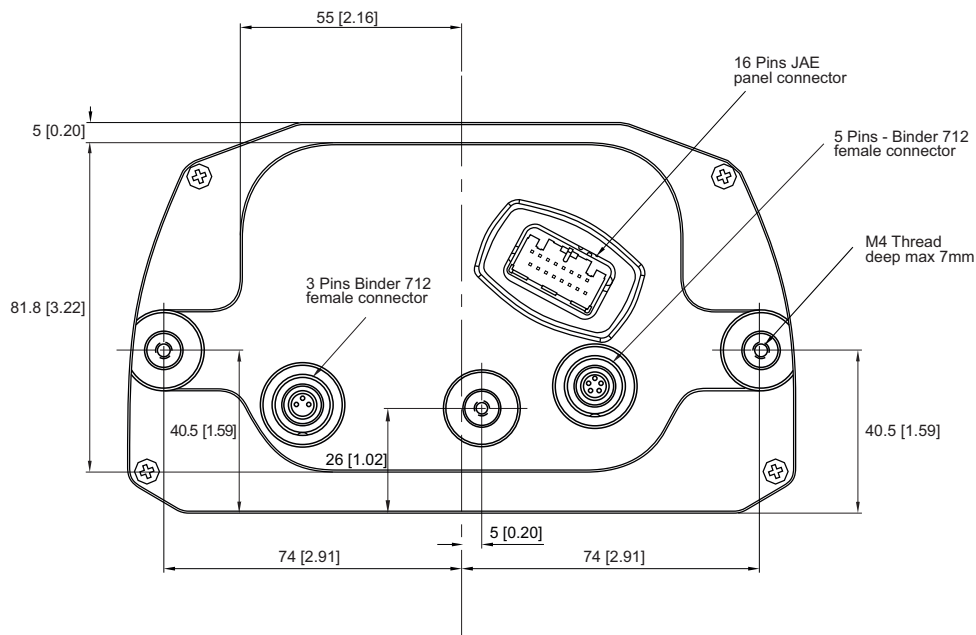
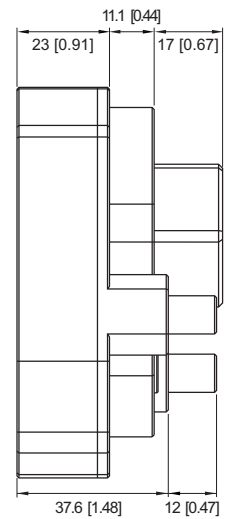
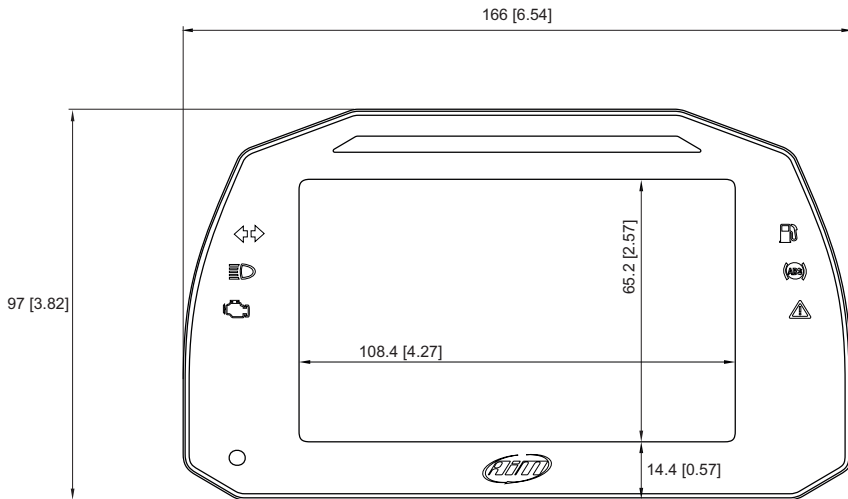




AiM MXK10

Plug & Play Dash Logger kit for Kawasaki Ninja ZX-10R*



* ZX-10R models 2016-2019



AiM MXK10

Plug & Play Dash Logger kit for Kawasaki Ninja ZX-10R*

Technical specifications

Display	5" TFT
Resolution	800x480 pixels
Contrast	600:1
Brightness	700cd/m2 - 1,100 Lumen
Ambient light sensor	Yes
Status information LEDs	6
Shift Lights LEDs	10
CAN connections	2
ECU connection	Yes
External modules	GPS Module, Channel Expansion, Lambda Controller, SmartyCam HD
Wi-Fi connection	Yes
Internal memory	4 GB
Body	Anodized Aluminum
Connectors	1 JAE connector + 2 Binder connectors
Dimensions	166 x 97 x 23 mm
Weight	530 g
Power consumption	400 mA
Waterproof	IP65



Part number

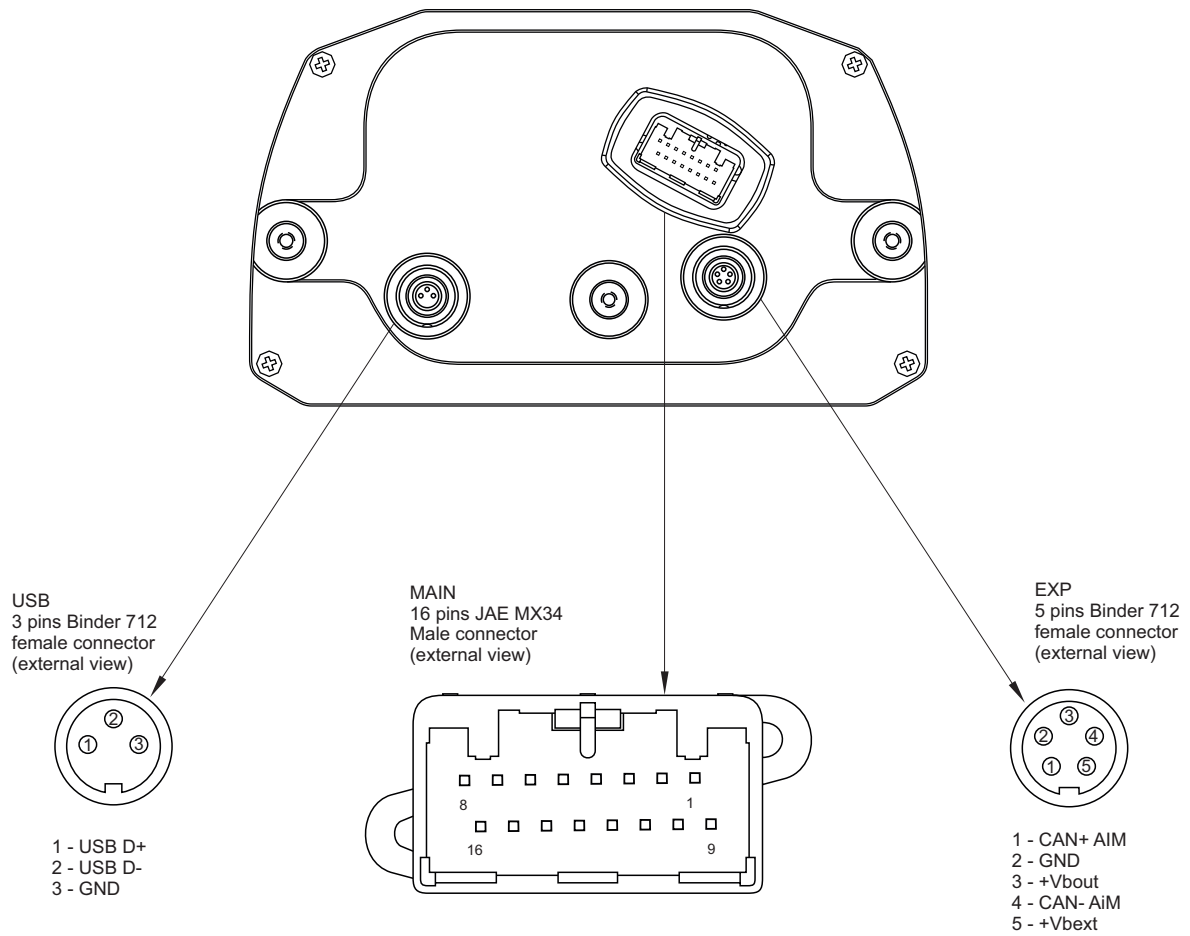
XA2MXS12A05R0KN MXK10 dash logger with screws and washers, dedicated GPS Module with anodized plate fixing kit and screws



AiM MXK10

Plug & Play Dash Logger kit for Kawasaki Ninja ZX-10R*

Pinout



* ZX-10R models 2016-2019