

AiM Infotech

Marelli SRA Funyo

Release 1.01



ECU

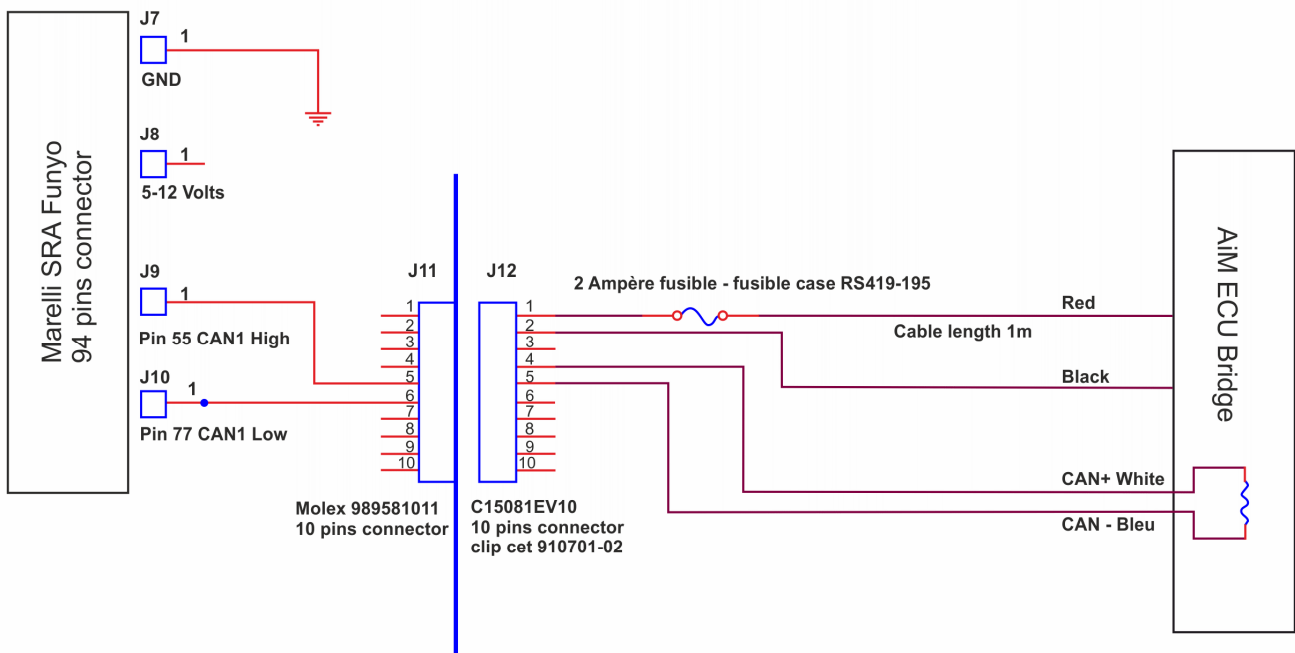


This tutorial explains how to connect Funyo prototypes cars to AiM devices. Funyo prototypes cars are equipped with a dedicated Marelli SRA ECU.

1

Wiring connection

SRA ECU for Funyo prototypes cars features a data transmission bus based on CAN on the 94 pins front connector. Here below you see the connection scheme.



2

AiM device configuration

Before connecting the ECU to AiM device set this up using AiM Race Studio software. The parameters to select in the device configuration are:

- ECU manufacturer "Marelli"
- ECU Model "SRA_PEUGEOT"

3

Available channels

Channels received by AiM devices connected to "Marelli" "SRA_PEUGEOT" protocol are.

ID	CHANNEL NAME	FUNCTION
ECU_1	SRA_RPM	RPM
ECU_2	SRA_TPS	Throttle position sensor
ECU_3	SRA_ECT	Engine coolant temperature