

AiM Infotech

Marelli  
GP2 F2 2013-2023

Release 1.00

---





# 1

## Supported models

---

This document explains how to connect FIA Formula cars to AiM devices.  
Supported models are:

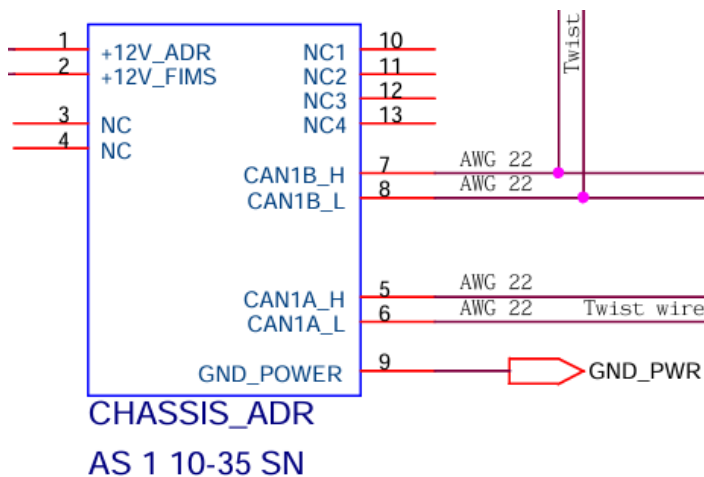
- FIA GP2 11-17 (Spec 2 ECU after 2013) 2013 – 2017
- FIA Formula 2 Gen1 (F2/18) 2018 - 2023

## 2 Wiring connection

These formula cars are broadcasting engine data on CAN at **1Mbit/sec.**  
CAN data broadcast is available on **Chassis ADR CAN1B.**

Connect the AiM unit CAN wires to the relevant CAN ADR pins on the 13 ways Deutsch AutoSport connector of the car (AS 1 10-35 SN), following the table below:

ADR connector pin	Pin function	AiM cable
7	CAN1B ADR High	CAN+
8	CAN1B ADR Low	CAN-



## 3 Race Studio configuration

Before connecting the AiM device to the ECU set all function using AiM software Race Studio software. The parameters to set in the device configuration are:

ECU manufacturer: **MARELLI**  
ECU model: **GP2 F2 2013-2023 (only RS3)**

## 4



## "MARELLI – GP2 F2 2013-2023" Protocol

---

Channels received by AiM devices configured with "MARELLI – GP2 F2 2013-2023" protocol are:

<b>CHANNEL NAME</b>	<b>FUNCTION</b>
RPM	Engine RPM
ThrottlePos	Throttle pedal position sensor
BrakePressure	Brake pressure
VehicleSpeed	Vehicle speed
FrontBrakePress	Front brake pressure
RearBrakePress	Rear brake pressure
Gear	Gear
Battery	Battery voltage
Barrel	Barrel voltage
OilTemp	Oil temperature
WaterTemp	Water temperature
AirTemp	Air temperature
OilPress	Oil pressure
ManifoldPress	Manifold air temperature
HydroPress	Hydraulic pressure
Conso	Fuel consumption

**Technical note:** Not all data channels outlined in the ECU template are validated for each manufacturer model or variant; some of the outlined channels are model and year specific, and therefore may not be applicable.