

M3X6
SCREWS

FRONTAL
CAP

LOWER DIAMETER
(TOP SIDE)

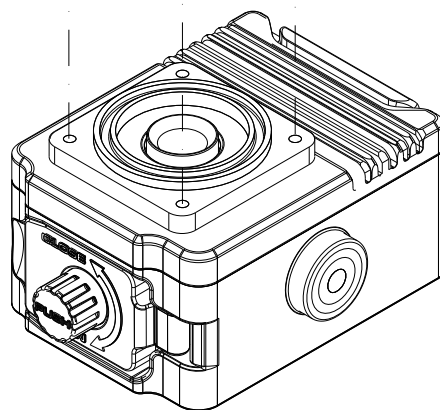
HIGHER
DIAMETER
(LOW SIDE)

PROTECTION GLASS
(SUPPLIED REPLACEMENT PART)


A

DETAIL A

O-RING
(SUPPLIED REPLACEMENT PART)



SMARTYCAM 3
SPORT

Rif. / Ref.	Q.tà / Q.ty	Materiale / Material			N. articolo / Item N.	
Progettato da / Designed by		Contr. da / Ckd. by	Approvato da / Approved by	Nome file / File name	Data / Date	Scala / Scale
 Racing Data Power			Titolo / Title SmartyCam 3 Sport - Glass replacement details			
			N. disegno / Drawing N. KIT code XS3SKITV00		Rev. / Rev.	Foglio / Sheet