

# AiM user guide

Solo2 DL, EVO4S and  
ECULog cables  
for Yamaha YZF-R3  
from 2018

**Release 1.00**

---



KIT





# 1

## Supported models and years

---

This user guide explains how to connect AiM Solo 2 DL, EVO4S and ECULog to Yamaha bikes.

Supported models and years are:

- Yamaha YZF-R3 from 2018

**Warning:** for this models/years AiM recommends not to remove the stock dash. Doing so will disable some of the bike functions or safety controls. AiM Tech srl will not be held responsible for any consequence that may result from the replacement of the original instrumentation cluster.

## 2 Connection cables

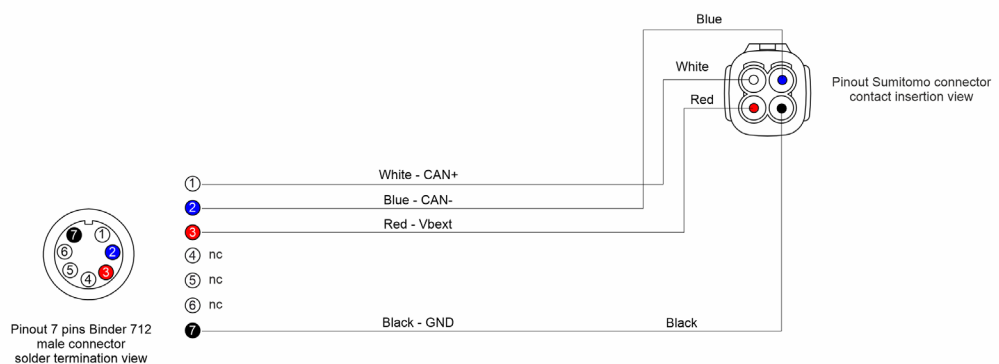
AiM developed specific connection cables for Solo 2 DL, EVO4S and ECULog according to the bike year.

### 2.1 AiM CAN cables for Solo 2 DL

Part number of AiM CAN cable for **Yamaha YZF-R3 2018-2021** – shown below – is **V02569340**.



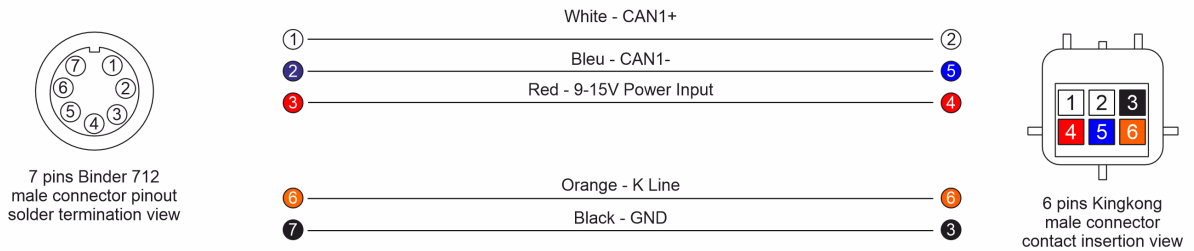
The image below shows the cable constructive scheme.



Part number of AiM CAN cable for **Yamaha YZF-R3 from 2022** – shown below – is **V02589130**.



The image below shows the cable constructive scheme.

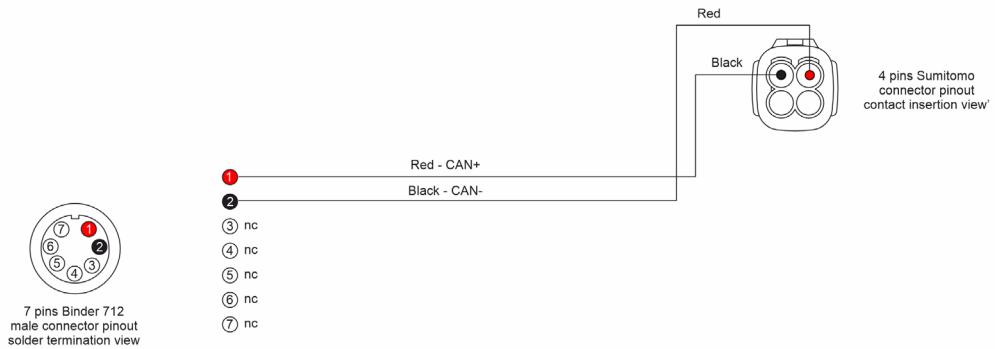


## 2.2 AiM CAN cables for EVO4S and ECULog

Part number of AiM CAN cable **for EVO4S only for Yamaha YZF-R3 2018-2021** is: **V02585150**



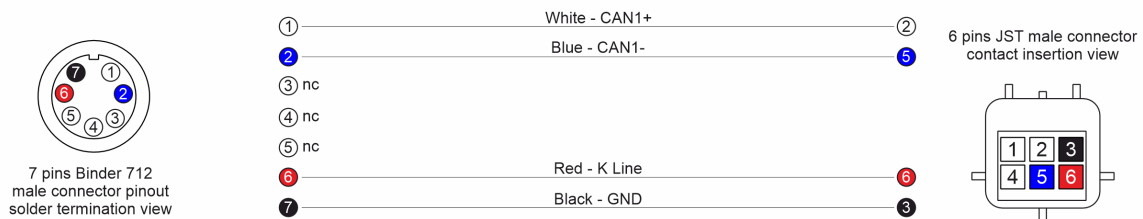
The image below shows the cable construction scheme.



Part number of AiM CAN cable for EVO4S and ECULog **for Yamaha YZF-R3 from 2022** is: **V02585200**



The image below shows the cable construction scheme.



### 3

## Solo 2 DL, EVO4S and ECULog connection

Yamaha bikes communicates using the CAN bus. It can be reached:

- on the 4 pins ABS diagnostic Sumitomo connector placed under the bike tail for Yamaha YZF-R3 2018-2021
- on the 6 pins OBDII EU5 connector placed under the bike seat for Yamaha YZF-R3 from 2022.

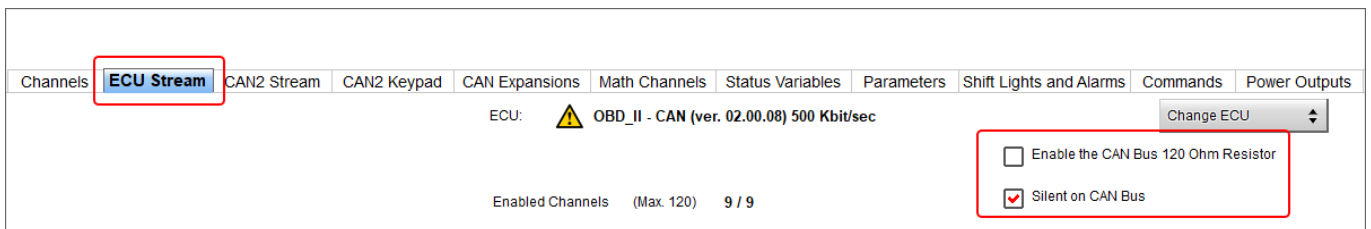
## 4 RaceStudio 3 configuration

---

Before connecting AiM devices to the bike ECU set all functions using AiM RaceStudio 3 software. The parameters to select in the device configuration are:

- ECU Manufacturer: **"OBDII"**
- ECU Model: **"CAN"** (RaceStudio 3 only)

After this first selection check "Silent mode on CAN Bus" checkbox in the device configuration ("ECU Stream" tab) as shown here below.



## 5

# “OBDII – CAN” protocol

---

Channels received by AiM devices configured with "OBDII – CAN" protocol are:

<b>CHANNEL NAME</b>	<b>FUNCTION</b>
OBDII RPM	RPM
OBDII SPD	Speed
OBDII TPS	Throttle position sensor
OBDII PPS	Pedal position sensor
OBDII ECT	Water Temperature
OBDII IAT	Intake air temperature
OBDII FuelLev	Fuel Level
OBDII MAP	Manifold air pressure
OBDII MAF	Air Mass Flow

**Technical note:** not all data channels outlined in the ECU template are validated for each manufacturer model or variant; some of the outlined channels are model and year specific, and therefore may not be applicable.