

AiM User Manual

Solo 2DL kit for bikes
TM Racing SMX 450 FI
MX 250 FI and 450 FI
EN 250 FI and 450 FI
from model year 2015

Release 1.00



KIT



1 Models and years

This user guide explains how to connect Solo 2DL to the ECU of TM Racing bikes equipped with a Microtec M269 ECU. Supported models and years are:

- | | | |
|-------------|--------------------------|----------------------|
| • TM Racing | SMX 450 (Fuel Injection) | from model year 2015 |
| • TM Racing | MX 250 (Fuel Injection) | from model year 2015 |
| • TM Racing | MX 450 (Fuel Injection) | from model year 2015 |
| • TM Racing | EN 250 (Fuel Injection) | from model year 2015 |
| • TM Racing | EN 450 (Fuel Injection) | from model year 2015 |

2 Kit content and part numbers

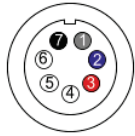
Part number of AiM Solo 2DL kit for TM Racing bikes is: **V02569300CS1** and the kit includes:

- 1 Bar Pad for bikes without cross brace for Solo 2DL with thermoformed cover and Velcro already mounted (1)
- 4 Torxs head screw (2)
- 1 TM Racing 2015 cable (3)

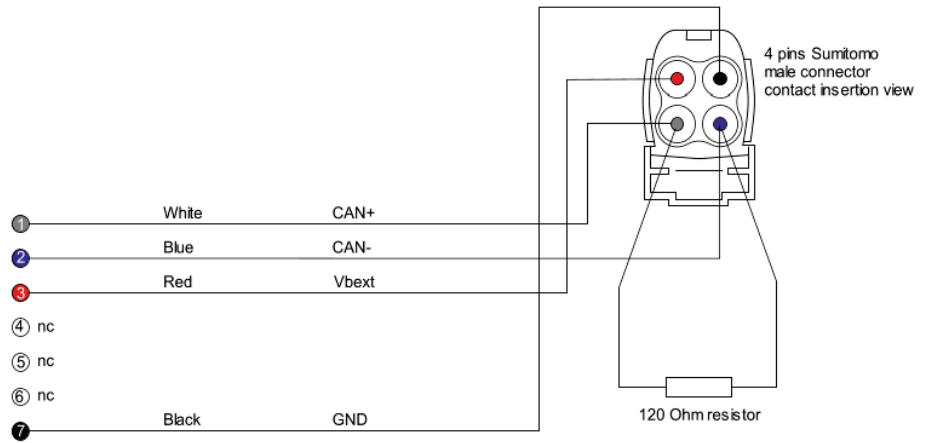


TM Racing cable (3) – part number **V02569300** – and Bar Pad (1) – part number **X47KPSOLO2T10** – can be bought also separately as spare parts.

Here below is constructive scheme of the cable **V02569300**.



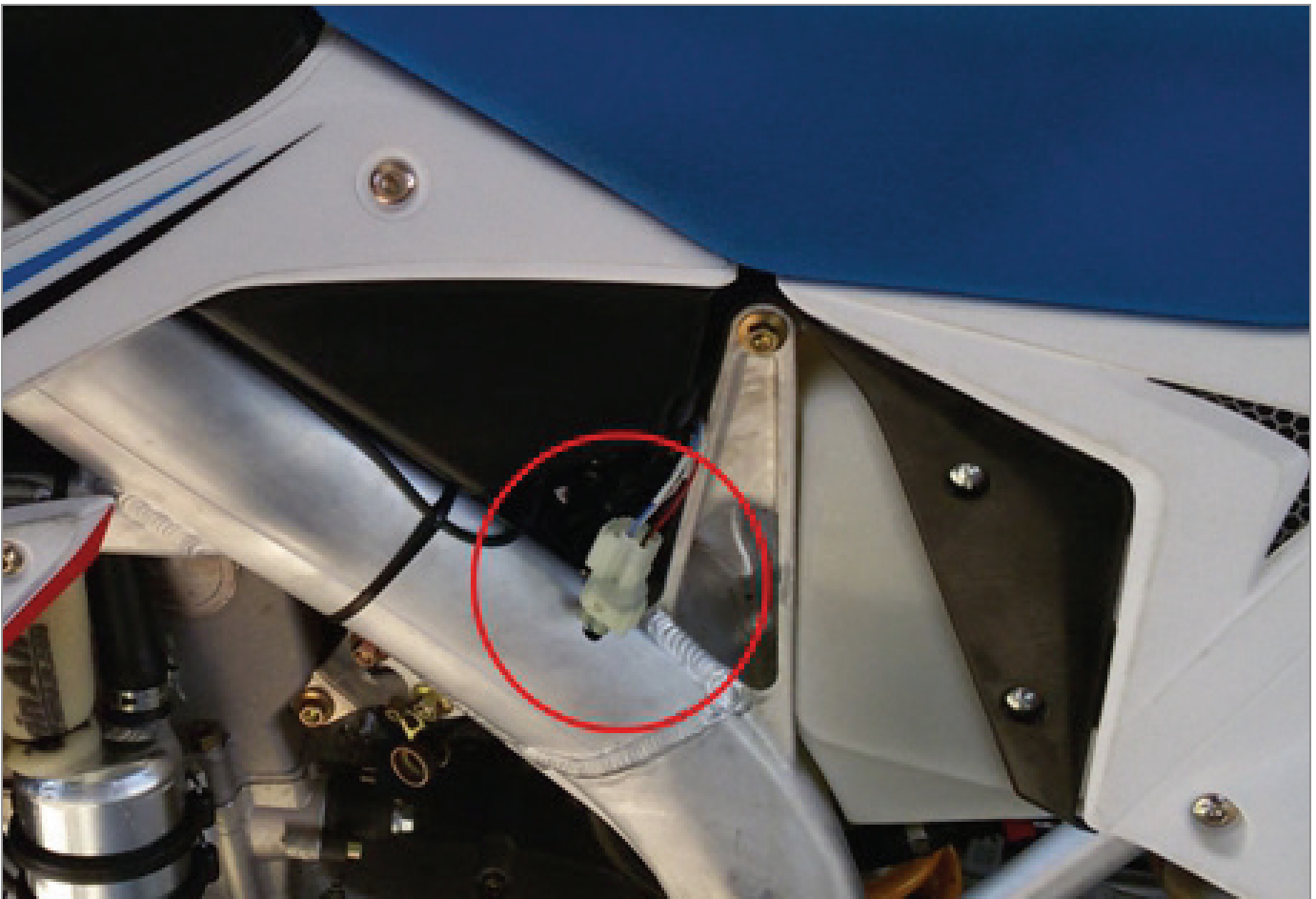
7 pins Binder 712
male connector
solder termination view



3

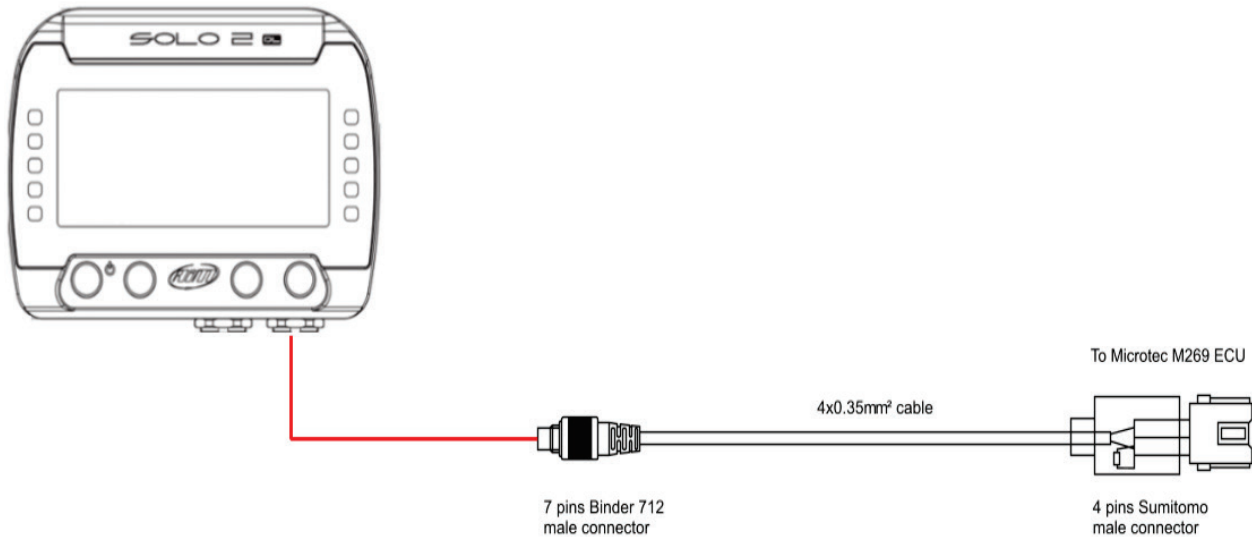
Installation and connection

To install Solo 2DL on TM Racing bike use the Sumitomo female diagnosis connector connected to Microtec M269 ECU and placed left on the bike as highlighted here below.



Connect 7 pins Binder 712 male connector of AiM cable to Solo 2DL right connector and 4 pins Sumitomo male connector of AiM cable to 4 pins Sumitomo female connector of the bike.

Please note: through AiM cable it is also possible to power Solo 2DL.



4

Race Studio 3 configuration

Before connecting Solo 2DL to Microtec M269 ECU set it up using Race Studio 3 software. The parameters to select in the logger configuration are:

- ECU Manufacturer: **Microtec**
- ECU Model: **TM**



5

"Microtec - TM" protocol

Channels received by Solo 2DL configured with "Microtec - TM" are:

NOME CANALE	FUNZIONE
RPM	RPM
GEAR	Gear position
T_Air	Air temperature
T_H2O	Water temperature
TPS	Throttle position sensor
DTPS	Throttle position sensor derivative
LAMBDA	Lambda value
P_AIR	Barometric pressure
VACUUM	Intake air pressure
V_BATT	Battery supply
MAP_SW	Map switch

Technical note: not all data channels outlined in the ECU template are validated for each manufacturer model or variant; some of the outlined channels are model and year specific, and therefore may not be applicable.