

AiM User Manual

SoloDL kit for bikes
TM Racing SMX 450 FI
MX 250 FI and 450 FI
EN 250 FI and 450 FI
from model year 2015

Release 1.00



KIT



1 Models and years

This user guide explains how to connect SoloDL to the ECU of TM Racing bikes equipped with a Microtec M269 ECU. Supported models and years are:

- TM Racing SMX 450 FI from model year 2015
- TM Racing MX 250 FI from model year 2015
- TM Racing MX 450 FI from model year 2015
- TM Racing EN 250 FI from model year 2015
- TM Racing EN 450 FI from model year 2015

2 Kit content and part numbers

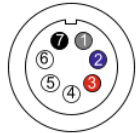
Part number of AiM SoloDL kit for TM Racing bikes is: **V02569300CS** and the kit includes:

- 1 Bar Pad for bikes without cross brace for SoloDL with thermoformed cover and Velcro already mounted (1)
- 4 Torxs head screw (2)
- 1 TM Racing 2015 cable (3)

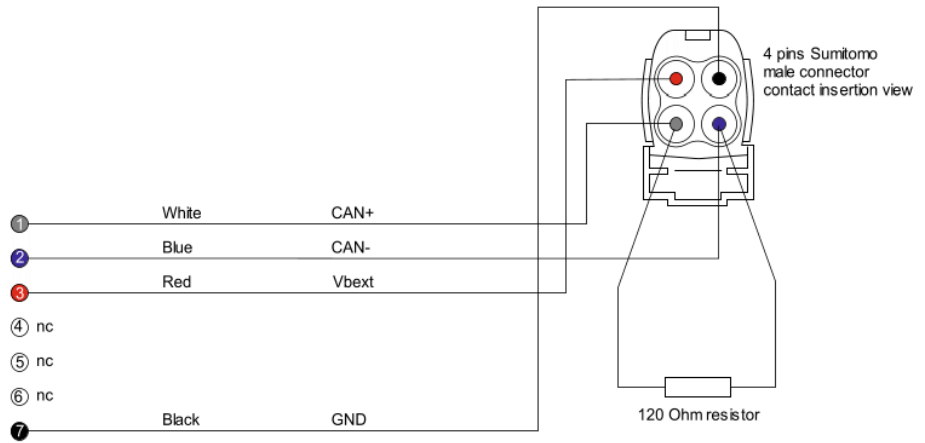


TM Racing cable (3) – part number **V02569300** – and Bar Pad (1) – part number **DNKTKPMSOLO** – can be bought also separately as spare parts.

Here below is constructive scheme of the cable **V02569300**.



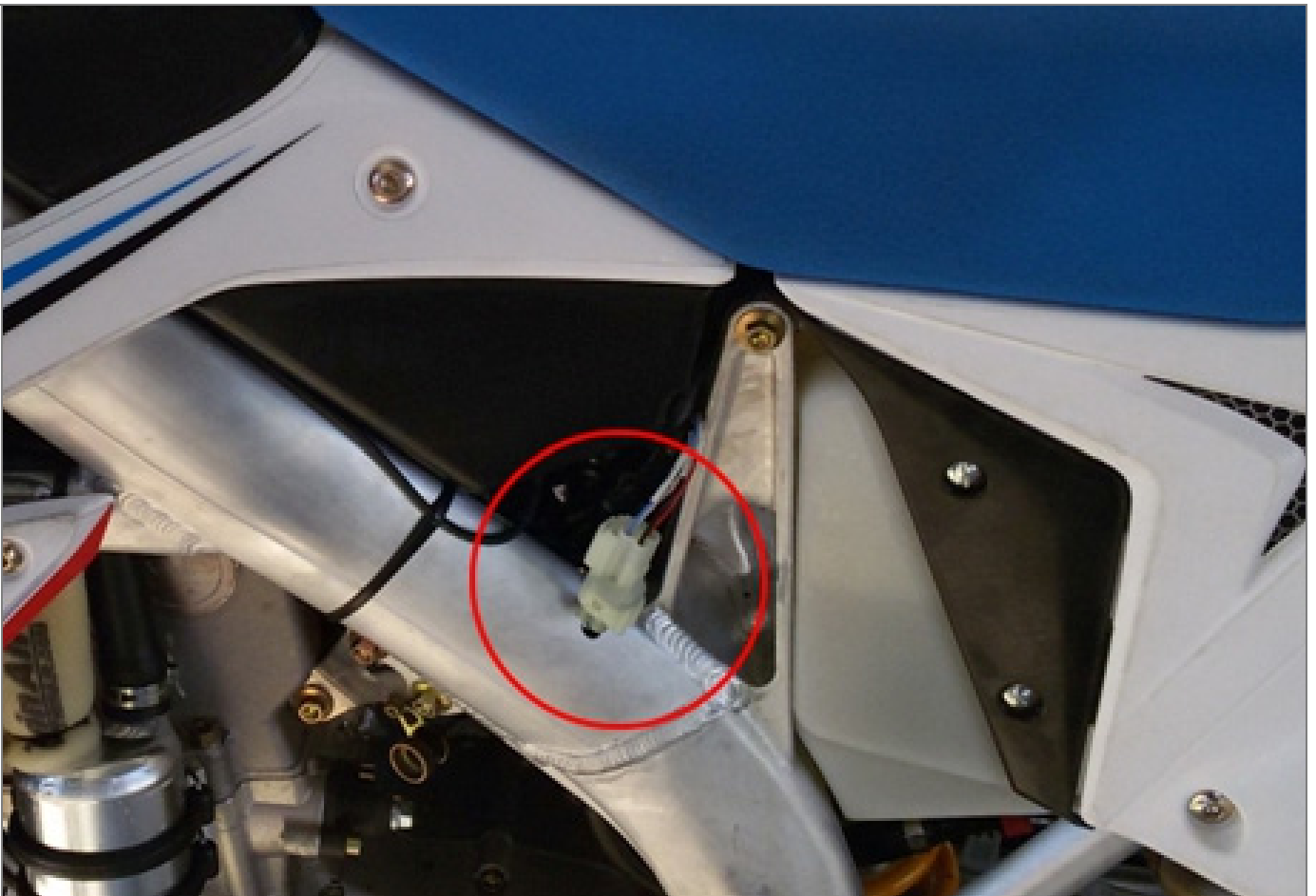
7 pins Binder 712 male connector solder termination view



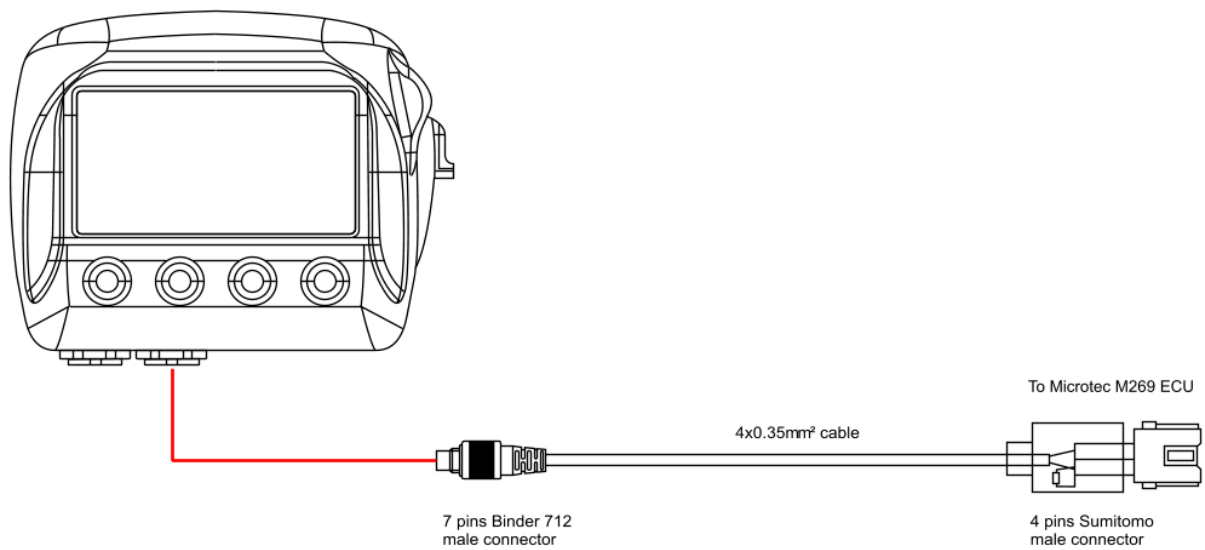
3

Installation and connection

To install SoloDL on TM Racing bike use the Sumitomo female diagnosis connector connected to Microtec M269 ECU and placed left on the bike as highlighted here below.



Connect 7 pins Binder 712 male connector of AiM cable to SoloDL right connector and 4 pins Sumitomo male connector of AiM cable to 4 pins Sumitomo female connector of the bike. **Please note:** through AiM cable it is also possible to power SoloDL.



4

Configuration with Race Studio 2

Before connecting SoloDL to Microtec M269 ECU set it up using Race Studio 2 software. The parameters to select in the logger configuration are:

- ECU Manufacturer: "Microtec"
- ECU Model: "TM"

5

"Microtec" "TM" protocol

Channels received by SoloDL connected to "Microtec" "TM" are:

ID	NOME CANALE	FUNZIONE
ECU_1	ECU_RPM	RPM
ECU_2	ECU_TPS	Throttle position sensor
ECU_3	ECU_DTPS	Throttle position sensor derivative
ECU_4	ECU_LAMBDA	Lambda value
ECU_5	ECU_GEAR	Engaged gear
ECU_6	ECU_T_H2O	Engine coolant temperature
ECU_7	ECU_T_AIR	Air temperature
ECU_8	ECU_P_AIR	Barometric pressure
ECU_9	ECU_VACUUM	Intake air pressure
ECU_10	ECU_V_BATT	Battery supply
ECU_11	ECU_MAP_SW	Map switch

Technical note: not all data channels outlined in the ECU template are validated for each manufacturer model or variant; some of the outlined channels are model and year specific, and therefore may not be applicable.