

AiM User Guide

SoloDL installation kit for GET GP1 and GET Power ECU

Release 1.02



KIT



1 Modelli supportati

This user guide explains how to connect GET GP1 EVO and GET Power ECU to AiM SoloDL. Supported models are:

- GET GP1 with EVO protocol
- GET GP1 with A4 protocol
- GET Power

These ECUs are aftermarket products mainly installed on Honda, Suzuki, Kawasaki, Yamaha, Husquarna and KTM bikes. Please refer to GET website "www.getdata.it" to know supported bike models.

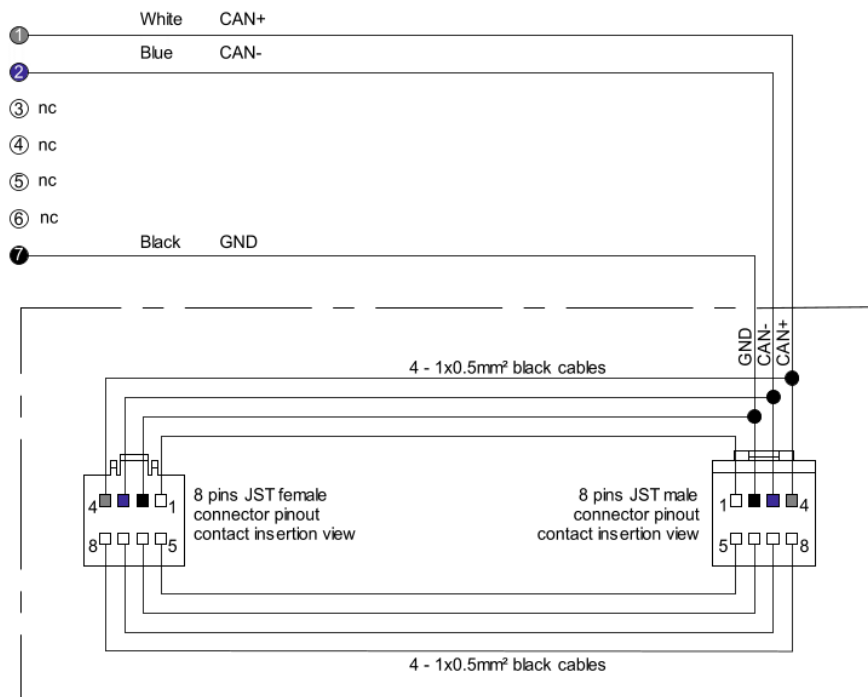
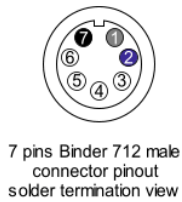
2 Installation notes

To install SoloDL on your bike you can use a bar pad. AiM provides the two optional bar pads shown below:

- bar pad for handle bar with cross brace – part number: **DNKTKPMSOL1** image on the left;
- bar pad for handle bar without cross brace – part number: **DNKTKPMSOLO** image on the right.



To connect AiM SoloDL to GET GP1 EVO and GET Power ECUs use the connection kit with part number: **V02569250**. Here you see the connection kit on top and its constructive scheme on bottom.

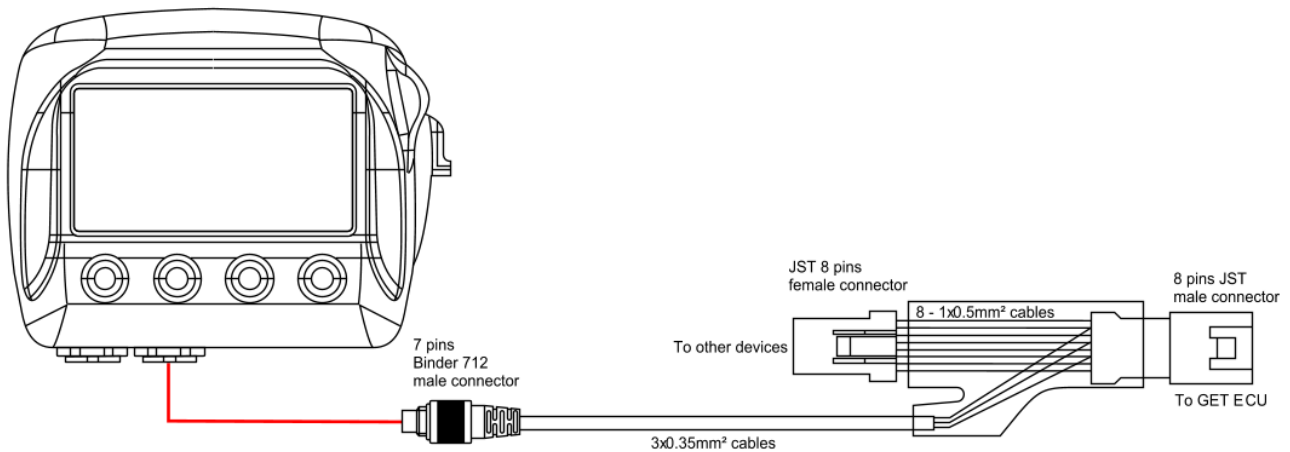


GET GP1 EVO and GET Power ECUs have a connector used to communicate data to an external device and highlighted here below.



Please note: GET ECU does not power SoloDL. It is thereby recommended to always ensure that SoloDL battery is charged.

In case GET ECU is already connected to an external device it is possible to maintain this connection using AiM cable as shown in the drawing below.



ECU connector has a cap on it. If nothing else is connected to the ECU remove the cap and place it on AiM cable female connector (labelled "to other devices" here above) and connect AiM cable male connector to the ECU female connector.

3

Configuration with Race Studio 2

Before connecting SoloDL to the ECU, set it up using Race Studio 2 software. The parameters to select in the device configuration are:

- ECU Manufacturer: "GET"
- ECU Model
 - "A4" for GP1 ECU from firmware version GP86 of February the 4th 2013 or from the version identified with code A4BEQJ
 - "GP1_EVO" for GET GP1 ECU with previous versions and for GET Power.

4

Available channels

Channels received by SoloDL connected to GET GP1 EVO and Get Power ECUs changes according to the protocol (ECU Model) you set in Race Studio 2 configuration.

4.1

"GET" "A4" protocol

Channels received by SoloDL connected to "GET" "A4" protocol are:

ID	CHANNEL NAME	FUNCTION
ECU_1	ECU_RPM	RPM
ECU_2	ECU_REV	Engine revolution counter
ECU_3	ECU_THROTTLE	Throttle position sensor %
ECU_4	ECU_MAN_PRESS	Manifold air pressure
ECU_5	ECU_ENG_TMP	Engine temperature
ECU_6	ECU_INT_TMP	Intake air temperature
ECU_7	ECU_VBB	Battery supply
ECU_8	ECU_BARO_PRES	Barometric pressure
ECU_9	ECU_GEAR_CUT	Gear cut
ECU_10	ECU_GEAR	Engaged gear
ECU_11	ECU_SPEED1	Speed 1
ECU_12	ECU_SPEED2	Speed 2
ECU_13	ECU_LAMB_AVG	Lambda Average value
ECU_14	ECU_LAMB_RAW	Lambda raw value
ECU_15	ECU_FORK	Fork damper value
ECU_16	ECU_SHOCK	Shock damper value
ECU_17	ECU_AD_PEDAL	Pedal analog value
ECU_18	ECU_AD_TPS	Throttle position sensor analog value



ECU_19	ECU_INJ_TAB_T	Fuel injection time value
ECU_20	ECU_SPARK_TAB	Ignition timing value
ECU_21	ECU_SPARK_TOT	Total ignition advance
ECU_22	ECU_DWELL	Battery voltage
ECU_23	ECU_PHASE	ECU phase
ECU_24	ECU_DTPTS+	Opening delta with TPS
ECU_25	ECU_DTPTS-	Closing delta with TPS
ECU_26	ECU_IJ_DTPTS+	Acceleration Injection Time Correction
ECU_27	ECU_IG_DTPTS+	Acceleration Ignition Correction
ECU_28	ECU_IJ_DTPTS-	Deceleration Injection Time Correction
ECU_29	ECU_IG_DTPTS-	Deceleration Ignition Correction
ECU_30	ECU_LAMB_TRG	Lambda target
ECU_31	ECU_KIJ_TH2O	Injection correction according to water temperature
ECU_32	ECU_KIJ_TAIR	Injection correction according to air temperature
ECU_33	ECU_KIJ_BARO	Injection correction according to barometric pressure
ECU_34	ECU_KIG_TH2O	Ignition correction according to water temperature
ECU_35	ECU_KIG_TAIR	Ignition correction according to air temperature
ECU_36	ECU_KIG_BARO	Ignition correction according to barometric pressure

Technical note: not all data channels outlined in the ECU template are validated for each manufacturer model or variant; some of the outlined channels are model and year specific, and therefore may not be applicable.

4.2 "GET" "GET GP1_EVO" protocol

Channels received by SoloDL connected to "GET" "GP1_EVO" protocol are:

ID	CHANNEL NAME	FUNCTION
ECU_1	ECU_RPM	RPM
ECU_2	ECU_TPS	Throttle position
ECU_3	ECU_MAP	Manifold air pressure



ECU_4	ECU_TH2O	Engine coolant temperature
ECU_5	ECU_TAIR	Intake air temperature
ECU_6	ECU_TOIL	Oil temperature
ECU_7	ECU_VBB1	Battery supply 1
ECU_8	ECU_VBB2	Battery supply 2
ECU_9	ECU_BARO	Barometric pressure
ECU_10	ECU_LAMBDA1AVG	Lambda 1 Average value
ECU_11	ECU_LAMBDA1RAW	Lambda 1 raw value
ECU_12	ECU_KLAMBDA1	Lambda 1 correction
ECU_13	ECU_INJ_TIME	Injection time
ECU_14	ECU_SPARK_1	Spark angle 1
ECU_15	ECU_PHASE	ECU phase
ECU_16	ECU_SPEED1	Speed 1
ECU_17	ECU_SPEED2	Speed 2
ECU_18	ECU_MAPPA	Selected map
ECU_19	ECU_GEAR	Engaged gear
ECU_20	ECU_DTPTS	Throttle position derivative
ECU_21	ECU_DECAYINJ	Differential injection revs 1
ECU_22	ECU_CINJ_DFARF	Throttle derivative control during injection time
ECU_23	ECU_KINJTH2O	Water temperature correction during injection time
ECU_24	ECU_KINJTAIR	Air temperature correction during injection time
ECU_25	ECU_REVS	ECU revolutions in counts

Technical note: not all data channels outlined in the ECU template are validated for each manufacturer model or variant; some of the outlined channels are model and year specific, and therefore may not be applicable.